

1

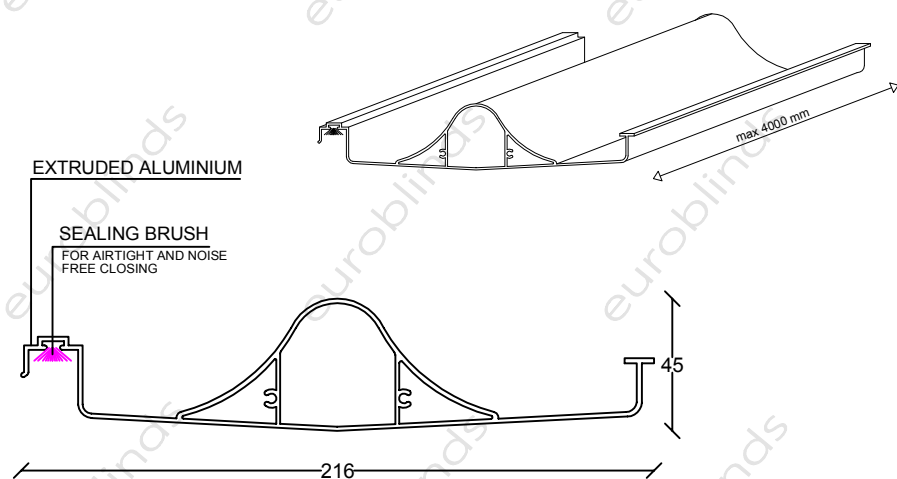
# DETAILS BIOCLIMATIC ALUMINIUM PERGOLA



[info@euroblinds.com.cy](mailto:info@euroblinds.com.cy)

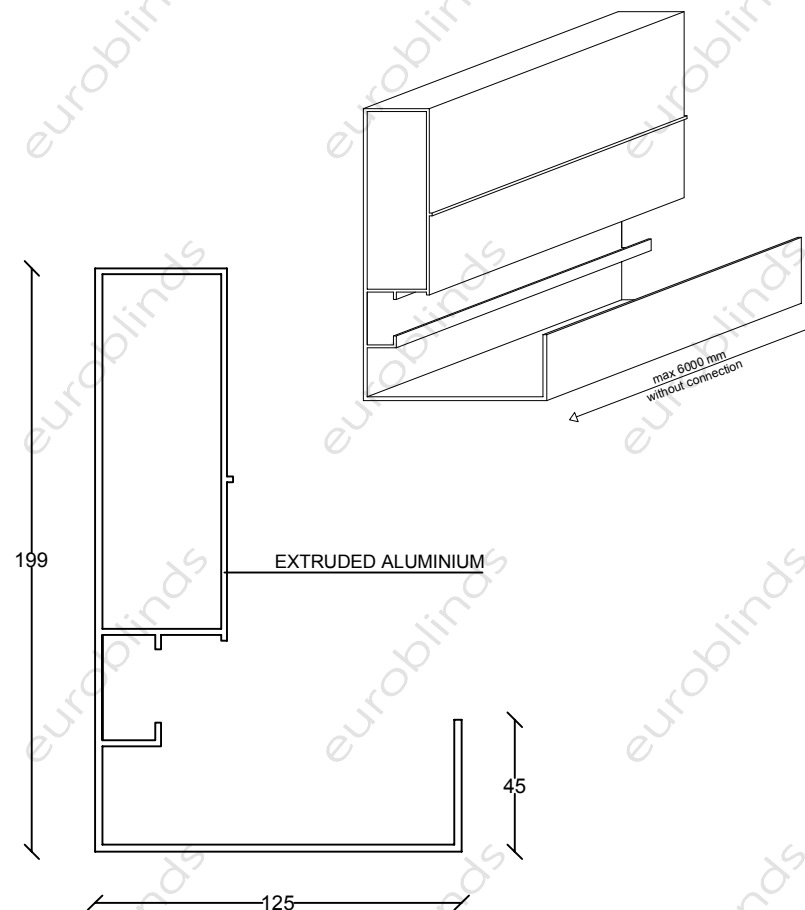


77772010



### BLADE MS943 CHARACTERISTICS

WEIGHT PER LINEAR METER	2kg
WEIGHT PER SQUARE METER - OPENING SYSTEM	10kg
ACTUAL BLADE WIDTH	216mm
BLADE WIDTH - OPENING SYSTEM	200mm
BLADE MAXIMUM LENGTH	4000mm




### ALUMINIUM FRAME WITH GUTTERS

MAXIMUM WIDTH WITHOUT CONNECTION	6000mm
----------------------------------	--------

## BIOCLIMATIC ALUMINIUM PERGOLA

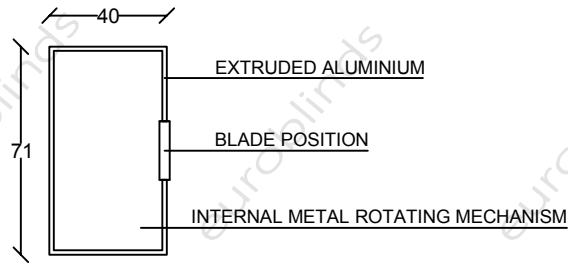
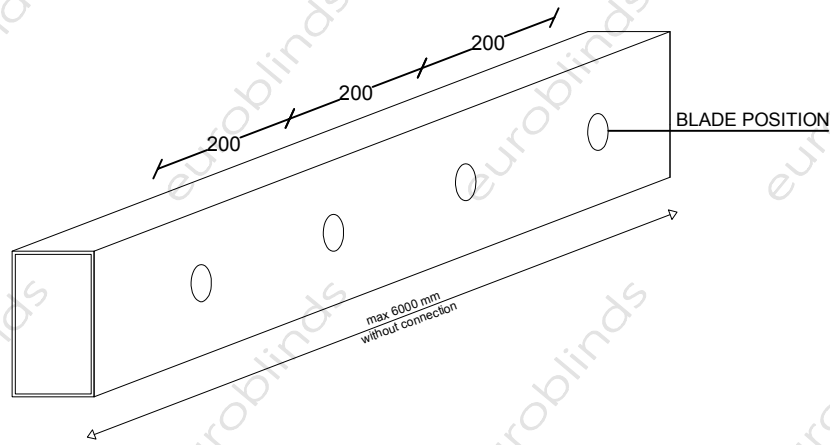
BLADE MS943 SECTION / CHARACTERISTICS  
ALUMINIUM FRAME WITH GUTTERS SECTION

 [info@euroblinds.com.cy](mailto:info@euroblinds.com.cy)

 77772010

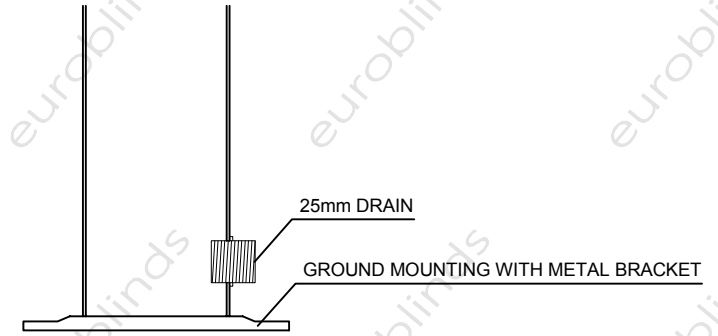
  
**euroblinds**  
BY SKIASIS GROUP  
έξυπνοι τρόποι σκίασης

3

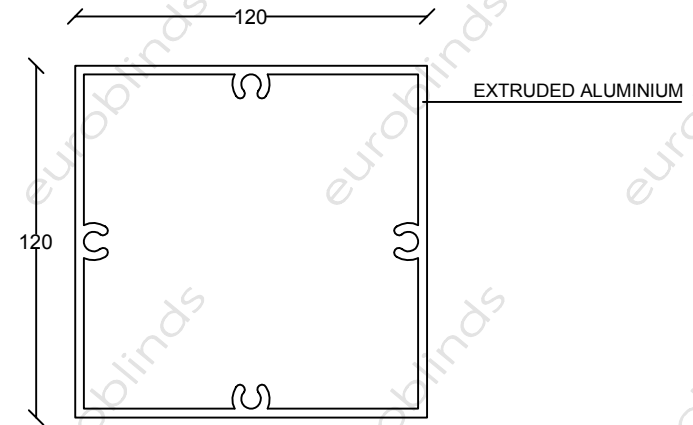


### BLADE DRIVE WITH ROTATING MECHANISM

MAXIMUM LENGTH WITHOUT CONNECTION	6000mm
BLADE REPEAT	200mm
INTERNAL METAL ROTATING MECHANISM	



### ALUMINIUM LEG WITH GUTTER SIDE SECTION



### ALUMINIUM LEG WITH GUTTER PLAN SECTION

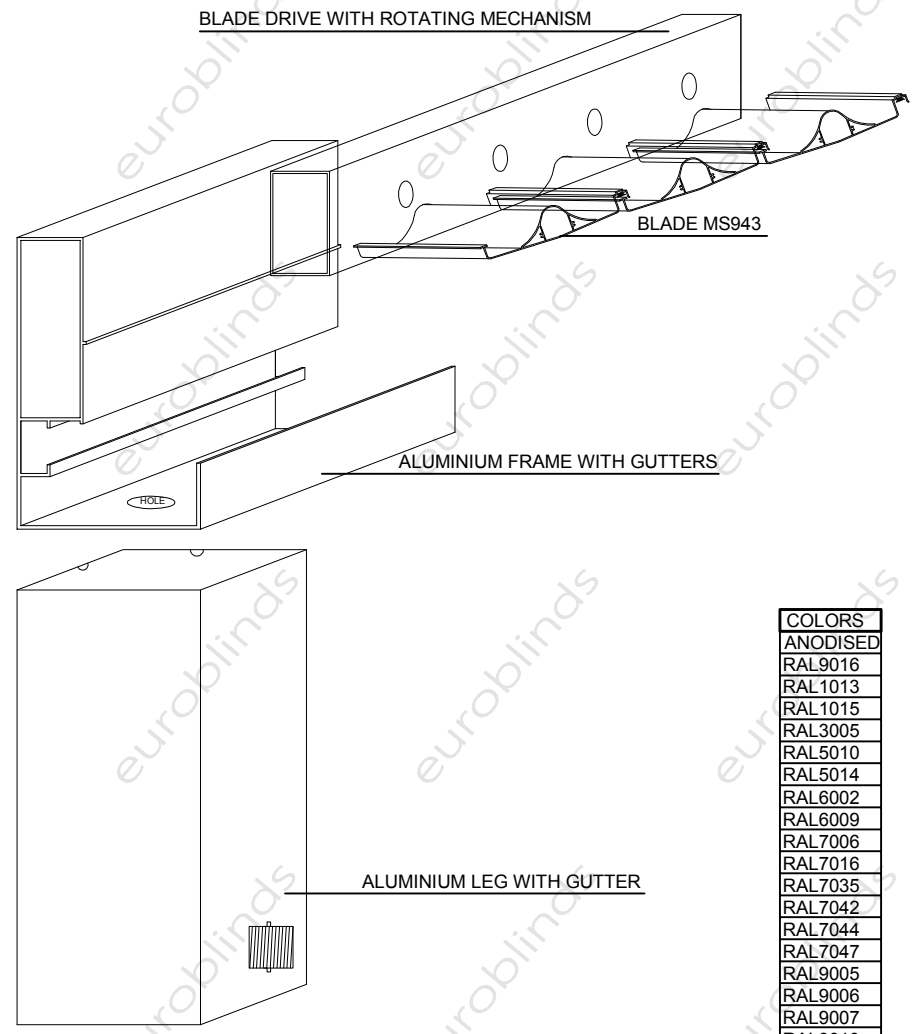
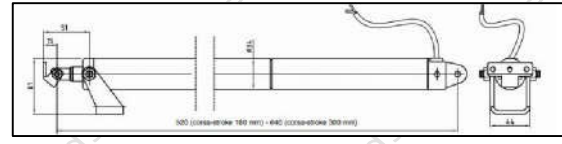
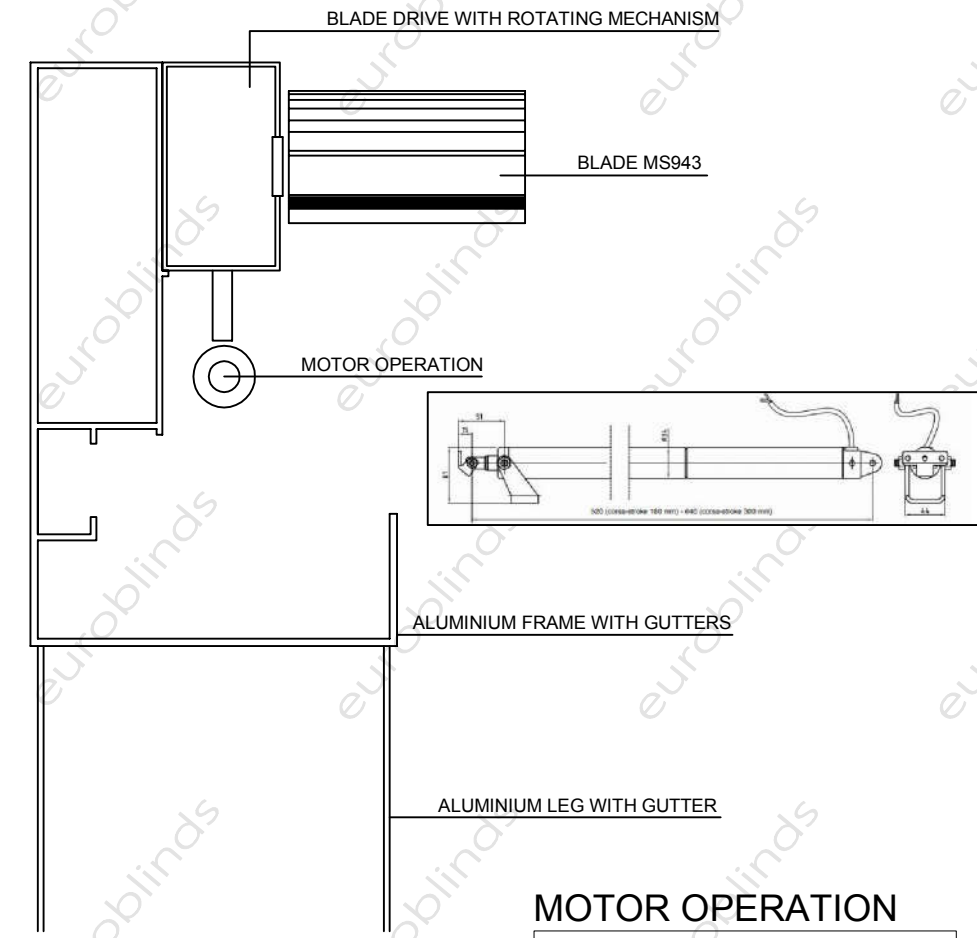
BIOCLIMATIC ALUMINIUM PERGOLA

BLADE DRIVE WITH ROTATING MECHANISM  
ALUMINIUM LEG WITH GUTTER

 [info@euroblinds.com.cy](mailto:info@euroblinds.com.cy)  
 77772010

  
BY SKIASIS GROUP  
έξυπνοι τρόποι σκίασης

4



COLORS
ANODISED
RAL9016
RAL1013
RAL1015
RAL3005
RAL5010
RAL5014
RAL6002
RAL6009
RAL7006
RAL7016
RAL7035
RAL7042
RAL7044
RAL7047
RAL9005
RAL9006
RAL9007
RAL9010
RAL9011

**SIDE SECTION**

- MOTOR OPERATION**
- TRANSFORMER INCLUDED
  - RECEIVER INCLUDED
  - REMOTE CONTROL OPERATION

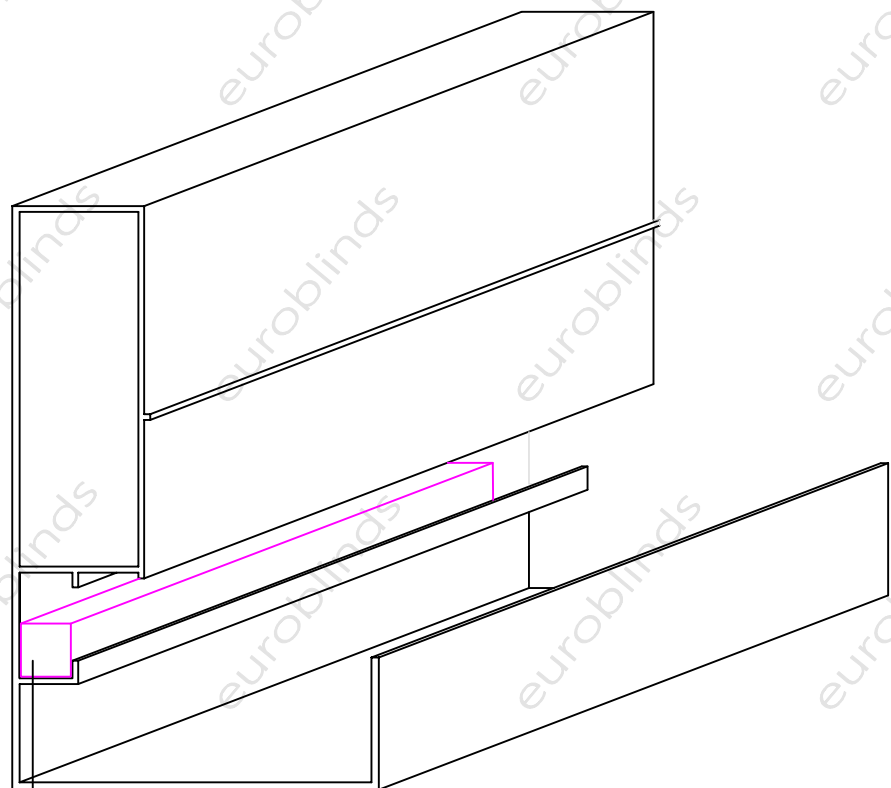
**BIOCLIMATIC ALUMINIUM PERGOLA**

CONNECTING PARTS  
MOTOR OPERATION

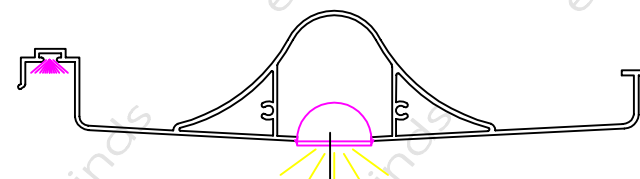
info@euroblinds.com.cy  
77772010



5



24V LED STRIPES 1m LENGTH (6000K)



24V SPOT LIGHT 3W (6000K)  
BLADE INTEGRATION

### LIGHTING OPERATION

- TRANSFORMER INCLUDED
- RECEIVER INCLUDED
- REMOTE CONTROL OPERATION

BIOCLIMATIC ALUMINIUM PERGOLA

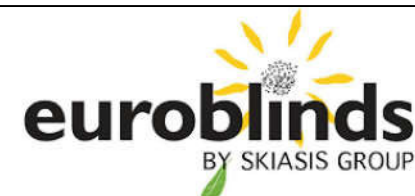
LIGHTING OPTIONS



info@euroblinds.com.cy

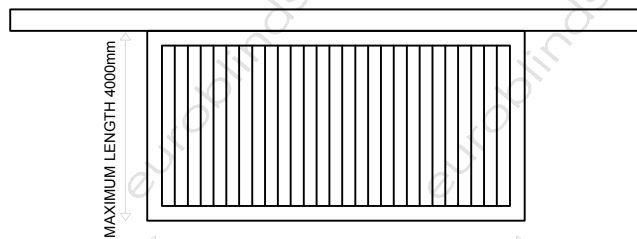


77772010

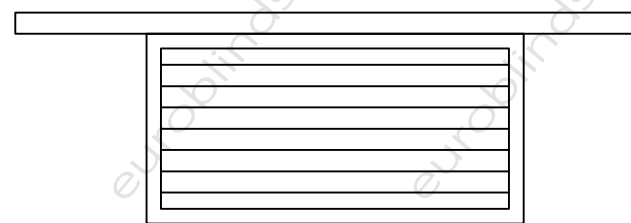


έξυπνοι τρόποι σκίασης

6

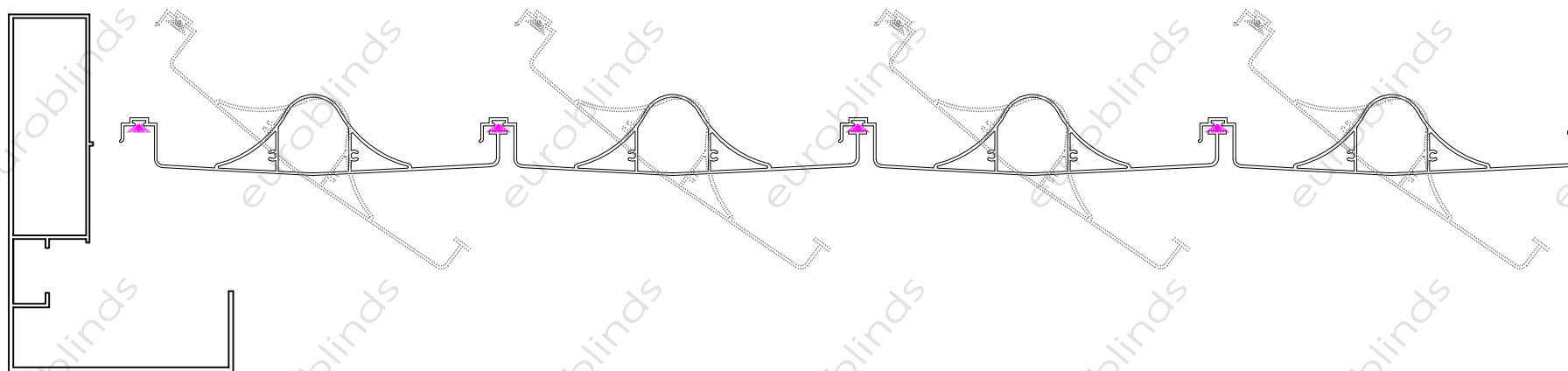


MAXIMUM LENGTH 4000mm  
MAXIMUM WIDTH 6000mm (WITHOUT CONNECTION)  
BY PLACING THE BLADES VERTICAL TO THE WALL  
THERE IS NO LIMITATION REGARDING THE WIDTH OF  
THE STRUCTURE




MAXIMUM LENGTH 4000mm  
BY PLACING THE BLADES PARALLEL TO THE WALL  
THERE IS NO LIMITATION REGARDING THE WIDTH  
AND THE LENGTH OF THE STRUCTURE


  
LEFT HAND UP



## BIOCLIMATIC ALUMINIUM PERGOLA

### OPERATION AND INSTALLATION OPTIONS

 [info@euroblinds.com.cy](mailto:info@euroblinds.com.cy)

 77772010



έξυπνοι τρόποι σκίασης