

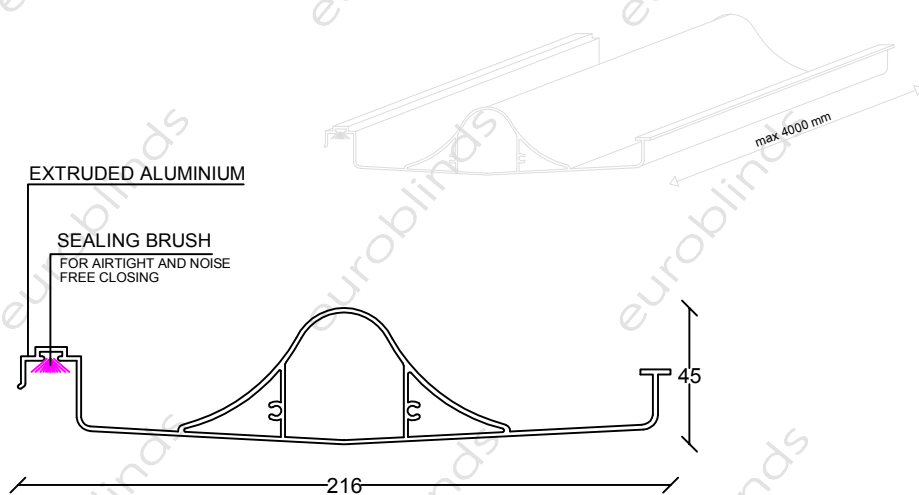
DETAILS BIOCLIMATIC ALUMINIUM PERGOLA



info@euroblinds.com.cy

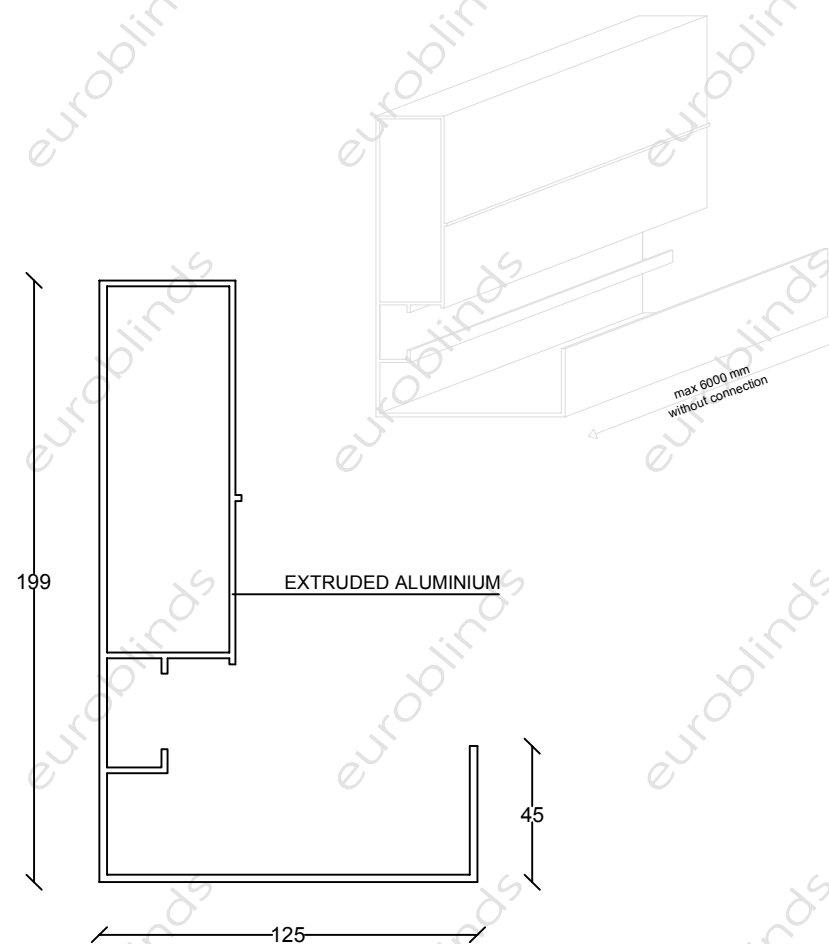


77772010



BLADE MS943 CHARACTERISTICS

WEIGHT PER LINEAR METER	2kg
WEIGHT PER SQUARE METER - OPENING SYSTEM	10kg
ACTUAL BLADE WIDTH	216mm
BLADE WIDTH - OPENING SYSTEM	200mm
BLADE MAXIMUM LENGTH	4000mm



ALUMINIUM FRAME WITH GUTTERS

MAXIMUM WIDTH WITHOUT CONNECTION 6000mm

BIOCLIMATIC ALUMINIUM PERGOLA

BLADE MS943 SECTION / CHARACTERISTICS
ALUMINIUM FRAME WITH GUTTERS SECTION



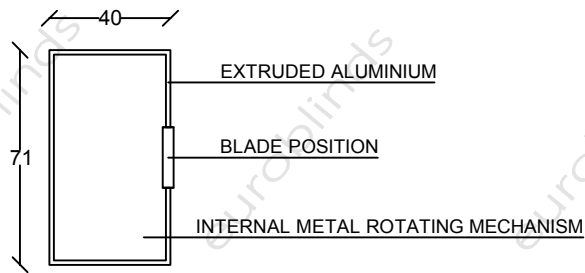
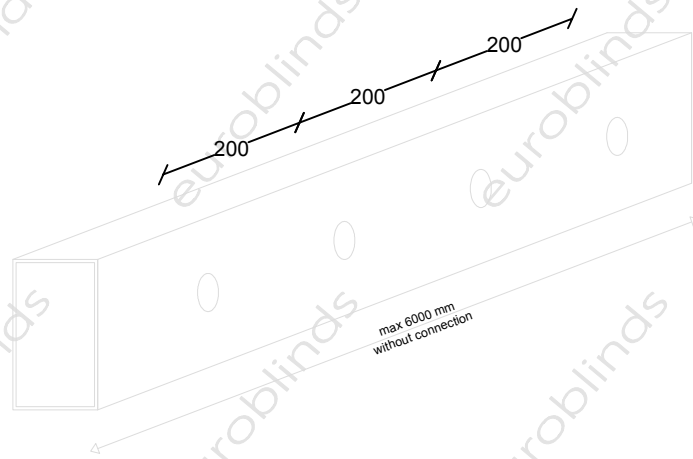
info@euroblinds.com.cy



77772010

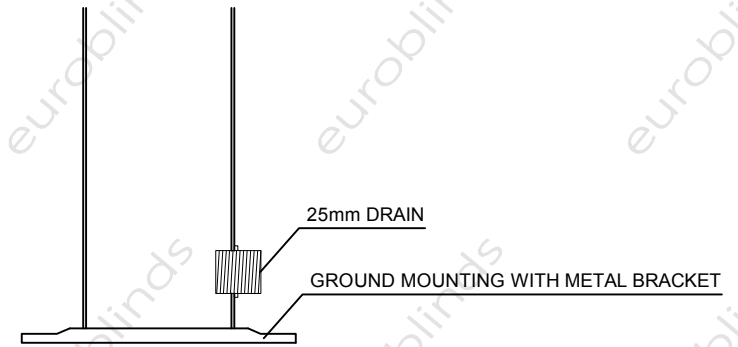


έξυπνοι τρόποι σκίασης

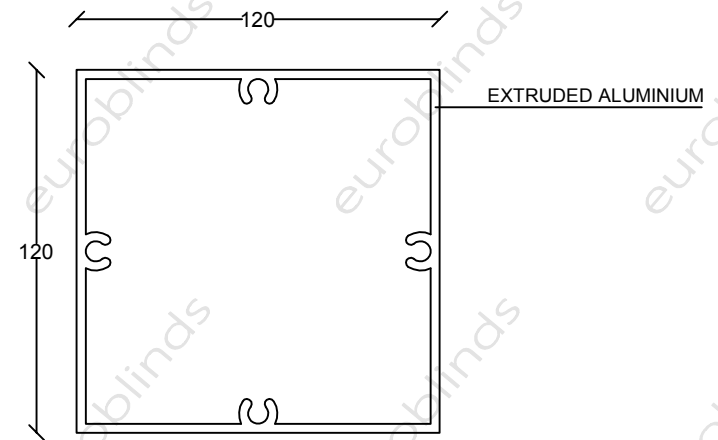


BLADE DRIVE WITH ROTATING MECHANISM

MAXIMUM LENGTH WITHOUT CONNECTION	6000mm
BLADE REPEAT	200mm
INTERNAL METAL ROTATING MECHANISM	



**ALUMINIUM LEG WITH GUTTER
SIDE SECTION**



**ALUMINIUM LEG WITH GUTTER
PLAN SECTION**

BIOCLIMATIC ALUMINIUM PERGOLA

BLADE DRIVE WITH ROTATING MECHANISM
ALUMINIUM LEG WITH GUTTER



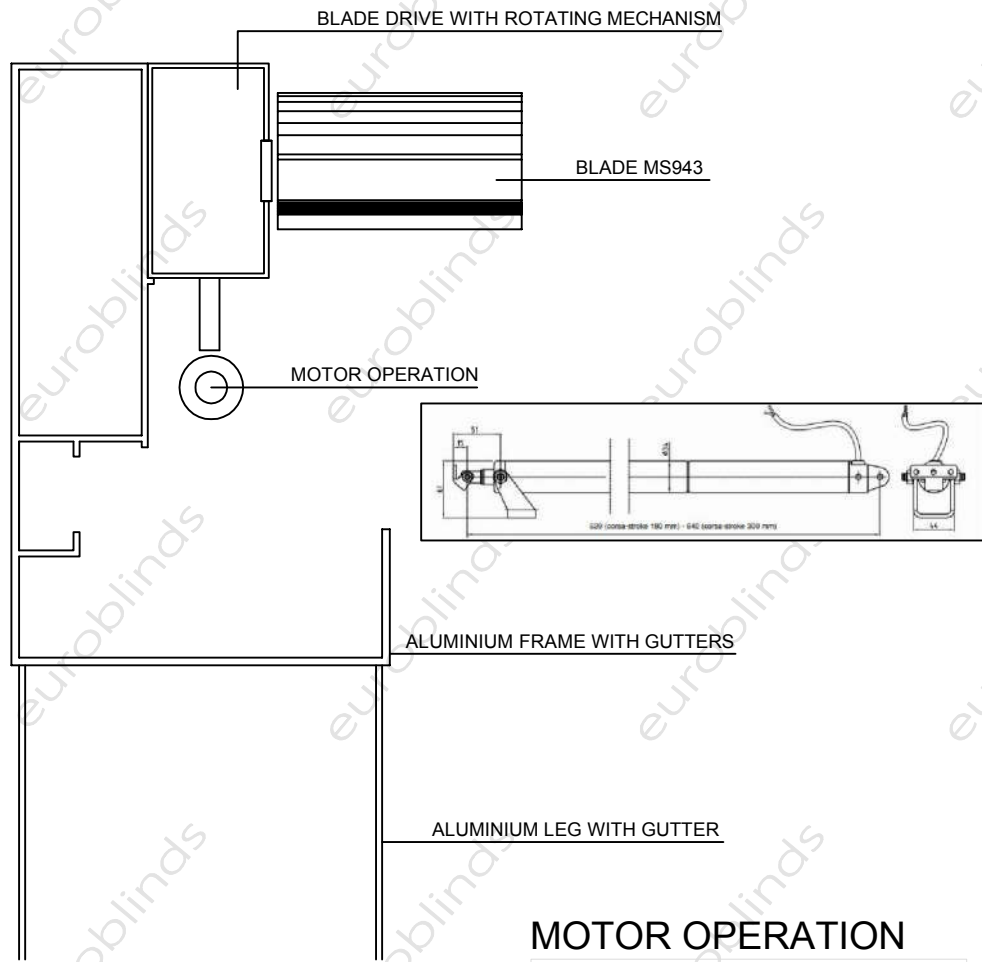
info@euroblinds.com.cy



77772010



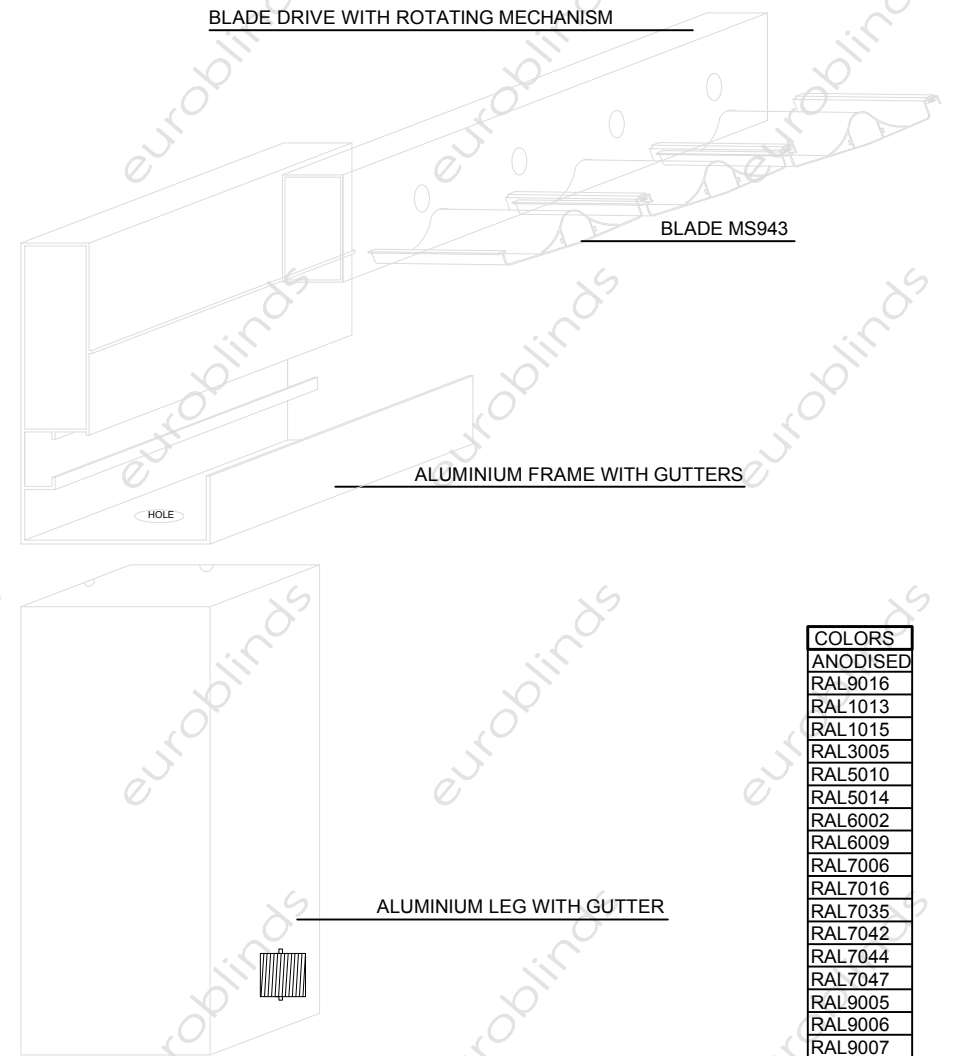
έξυπνοι τρόποι σκίασης



SIDE SECTION

MOTOR OPERATION


- TRANSFORMER INCLUDED
- RECEIVER INCLUDED
- REMOTE CONTROL OPERATION



COLORS
ANODISED
RAL9016
RAL1013
RAL1015
RAL3005
RAL5010
RAL5014
RAL6002
RAL6009
RAL7006
RAL7016
RAL7035
RAL7042
RAL7044
RAL7047
RAL9005
RAL9006
RAL9007
RAL9010
RAL9011

BIOCLIMATIC ALUMINIUM PERGOLA

CONNECTING PARTS
MOTOR OPERATION

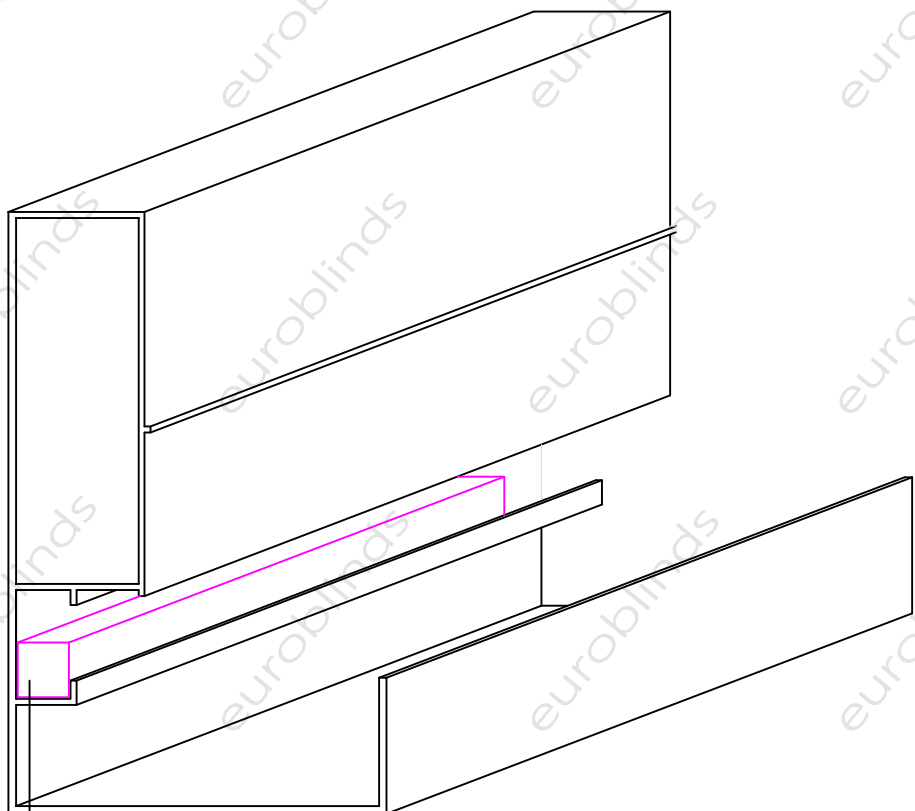
 info@euroblinds.com.cy

 77772010

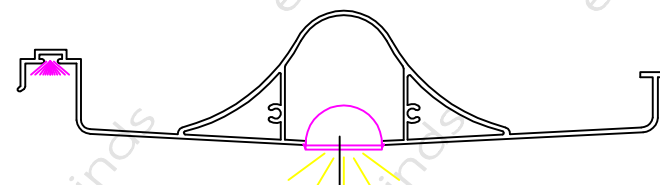


έξυπνοι τρόποι σκίασης

5



24V LED STRIPES 1m LENGTH (6000K)



24V SPOT LIGHT 3W (6000K)
BLADE INTEGRATION

LIGHTING OPERATION

- TRANSFORMER INCLUDED
- RECEIVER INCLUDED
- REMOTE CONTROL OPERATION

BIOCLIMATIC ALUMINIUM PERGOLA

LIGHTING OPTIONS



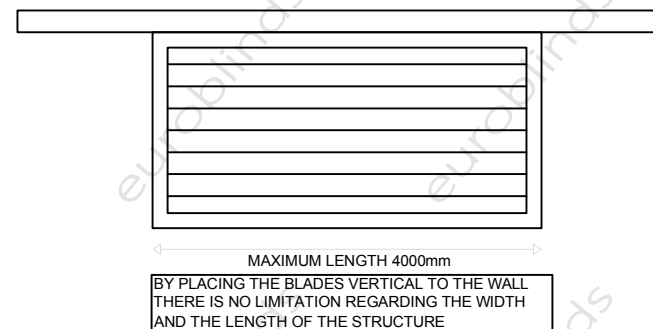
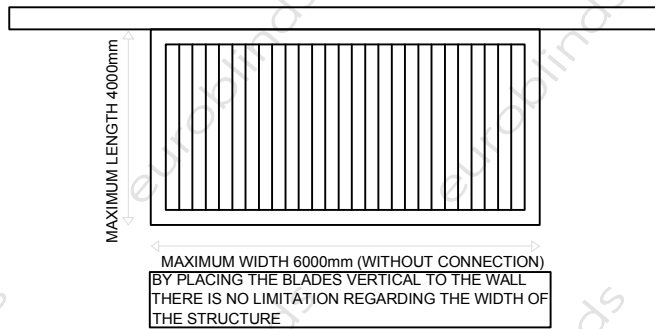
info@euroblinds.com.cy



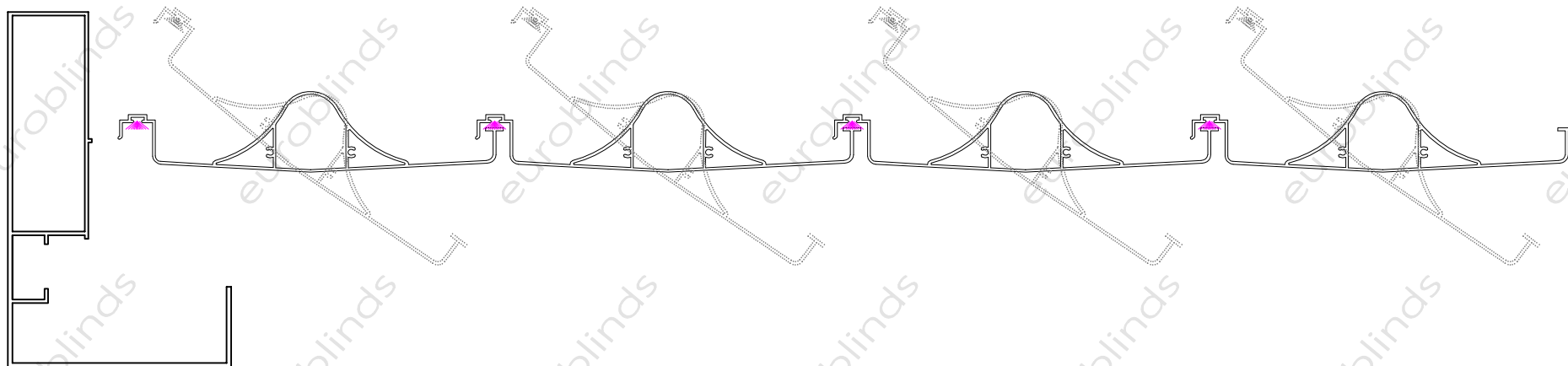
77772010



έξυπνοι τρόποι σκίασης




LEFT HAND UP



BIOCLIMATIC ALUMINIUM PERGOLA

OPERATION AND INSTALLATION OPTIONS



info@euroblinds.com.cy



77772010



έξυπνοι τρόποι σκίασης