





# Table of contents

<b>Covers</b>	5
<b>Index</b>	19

The information and values given refer to our products in their standard version according to the brochure and intended use/application.



# Covers

Definitions of dimensions	6
Limit dimensions	6
Sheet thicknesses	8
Complete clip	8
Miter joints (Principle)	9
Open header	10
Facade	15

## Definitions of dimensions

HF: Height of front panel

LF: Length of front panel

BU: Width of soffit

LU: Length of soffit

LF1G/LU1G: with miter joint on left or right

LF2G/LU2G: with miter joint on left and right

## Limit dimensions

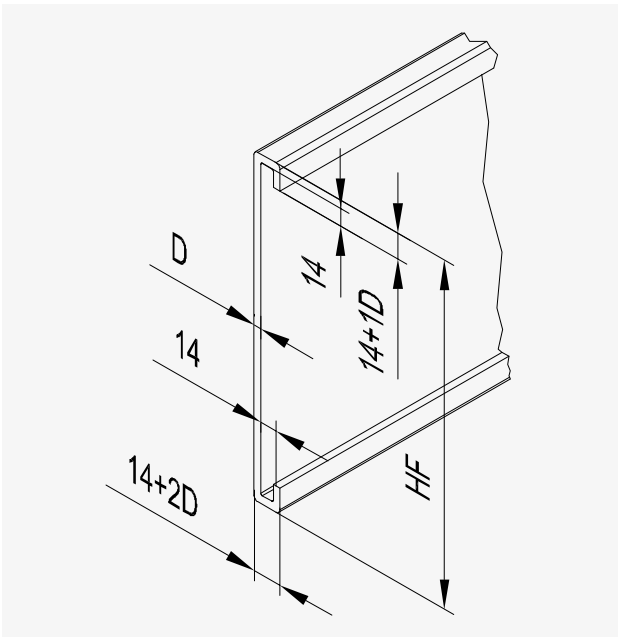
Type	Miter joint possible	Corner connection possible	HF min.	HF max.	LF min.	LF max. LF1G LF2G	BU min.	BU max.	LU min.	LU max. LU1G LU2G
1.1	●	●	160	500	200	4000				
1.3	●	●	165	500	200	4000				
1.4	–	–	160	400	200	4000 <sup>1</sup>				
1.5	●	●	50	200	200	3900				
1.6	●	●	100	500	200	4000				
1.7	●	●	160	500	200	4000	60	300	50	4000
2.1	–	–	50	400	100	4000				3700
3.1	●	●	160	500	100	3650	60	300	50	3400
4.1	●	●	160	500	100	3650	60	300	50	3700
5.1	●	●	160	500	200	3700				3400
5.2	●	●	160	500	100	3700				4000

<sup>1</sup> Soffit installation only, without brackets. Recommended for max. widths of 2500.

Type	Miter joint possible	Corner connection possible	HF min.	HF max.	LF min.	LF max. LF1G LF2G	BU min.	BU max.	LU min.	LU max. LU1G LU2G
5.3	●	–	100	400	100	4000 3780 3560				
5.4	●	–	100	400	100	4000 3780 3560				
6.1	●	●	160	500	200	4000 4000 4000	60	300	50	4000 3700 3400
6.2	●	●	160	500	200	4000 4000 4000	60	300	50	4000 3700 3400
7.1	●	–					60	300	50	4000 3700 3400
7.2	●	–					17	140	50	4000 3940 3880
7.3	–	–					17	140	50	1500 1450 1400
8.1	●	●	160	500	100	4000 3650 3300				
8.2	●	●	160	500	100	4000 3650 3300				
8.3	●	–	160	500	100	4000 3650 3300				
9.1	●	–	200	500	200	4000 3836 3672				
9.2	●	–	100	500	100	4000 3550 3100				
9.3			160	500	200	4000 4000				
9.4	●	–	200	400	100	4000 3836 3672				

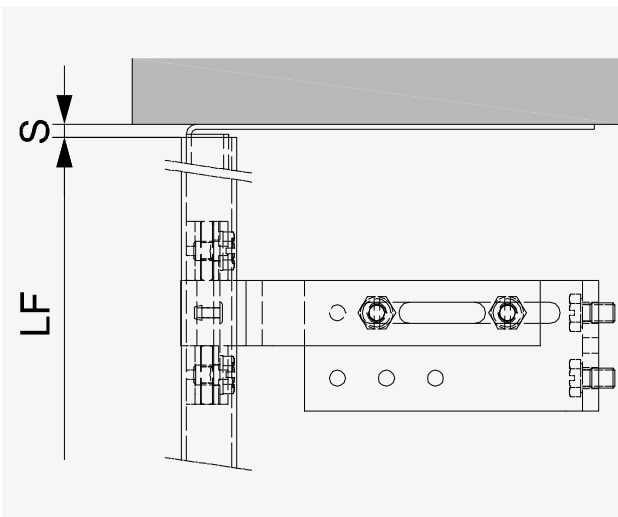
Sheet thicknesses

Folding for U-shaped front panels



D
1.5 <sup>1</sup>
2.0 <sup>2</sup>

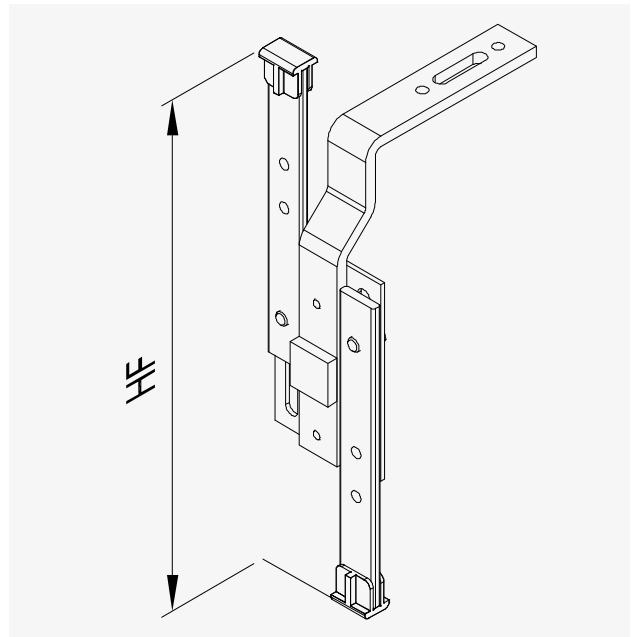
Reserve for closing panel



S
2.0 <sup>1</sup>
3.0 <sup>2</sup>

<sup>1</sup> Standard (within limit dimensions)  
<sup>2</sup> Outside limit dimensions

Complete clip



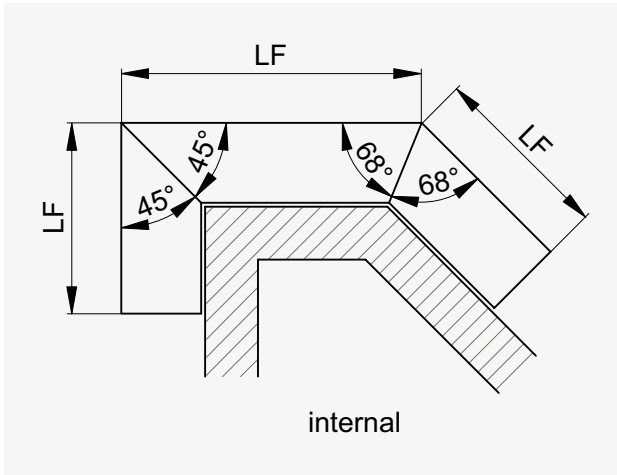
HF: Height of front panel  
 LF: Length of front panel



## Miter joints (Principle)

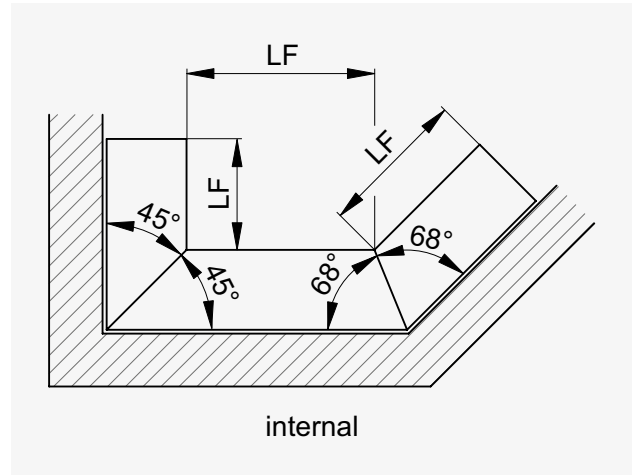
### external

convex corner when viewed from inside  
e.g. type 8.2



### internal

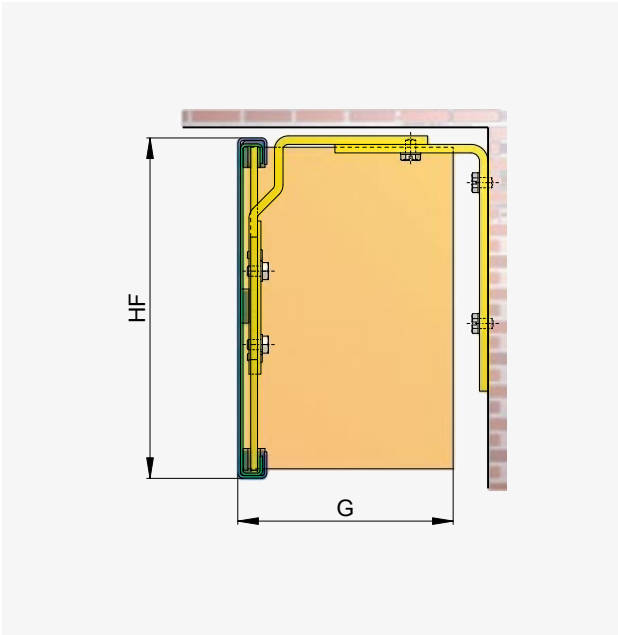
re-entrant corner when viewed from inside  
e.g. type 8.2



LF: Length of front panel

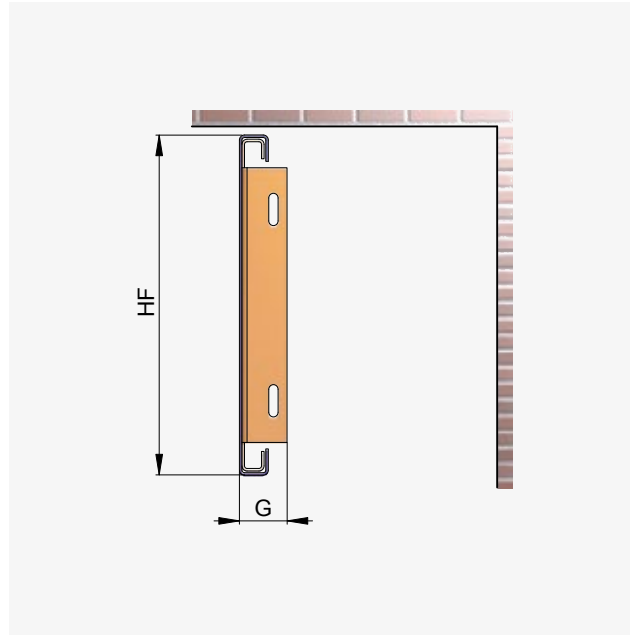
## Open header

### 1.1 Straight cover



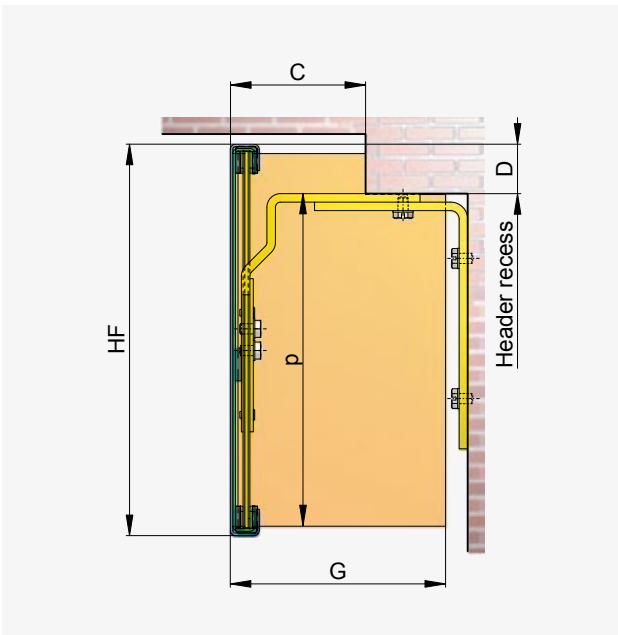
Corner connections	possible
Closing panel	loose
Clip, fastening	at top or rear

### 1.4 Straight cover, without clip



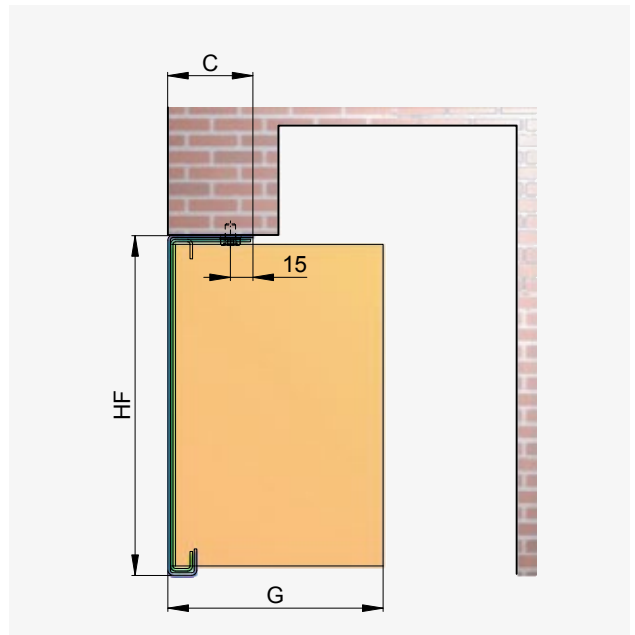
Corner connections	none
Closing panel	loose
Fastening	lateral

### 1.3 Straight cover



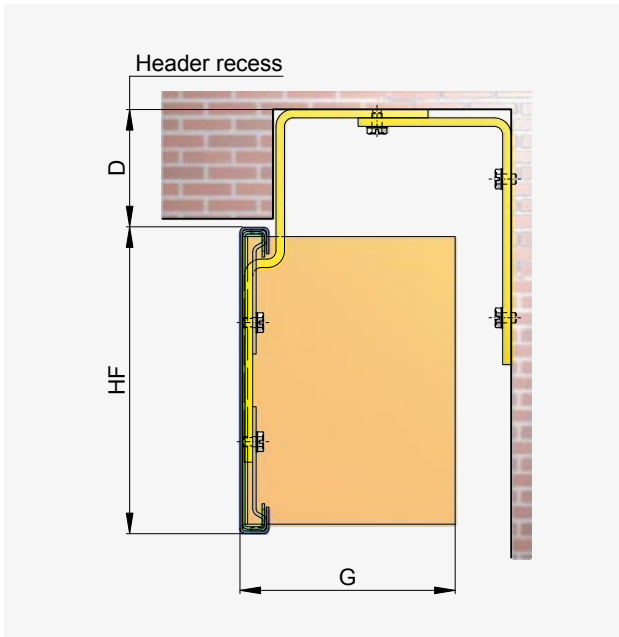
Blind package positioned lower	
Corner connections	possible
Closing panel	loose
Clip, fastening	at top or rear

### 1.5 Header extension, without clip



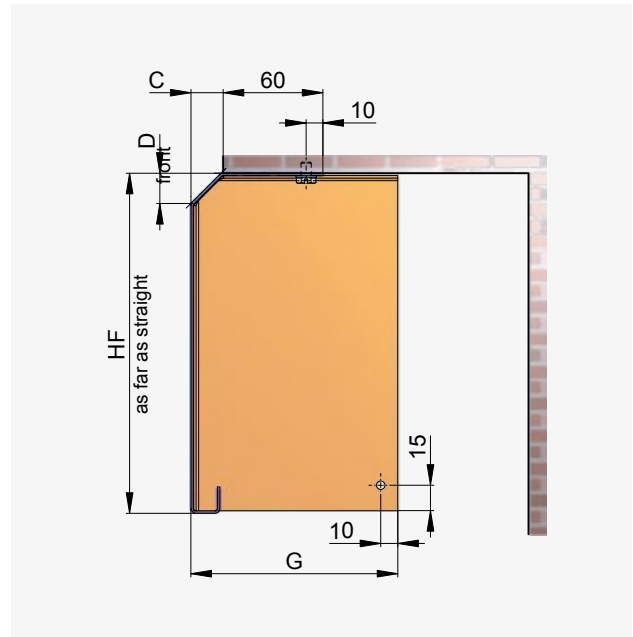
Corner connections	possible
Closing panel	loose
Fastening	at top

### 1.6 Straight cover



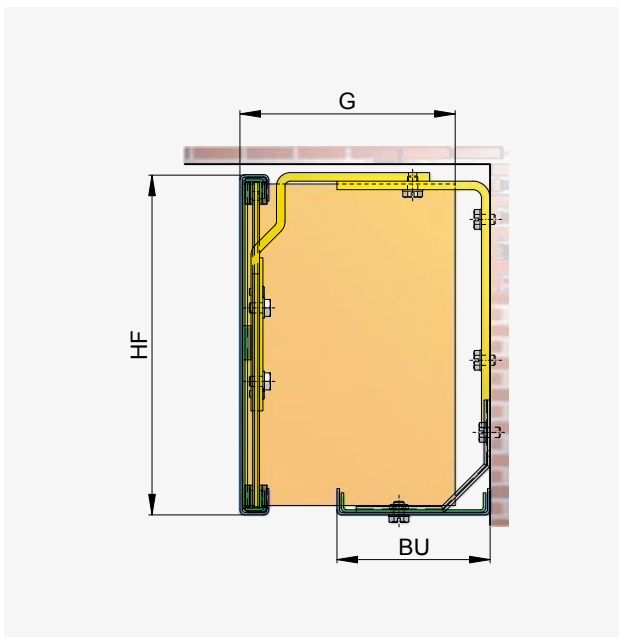
Clip extended at top	
Corner connections	possible
Closing panel	loose
Clip, fastening	at top or rear

### 2.1 Protruding cover, without clip



Corner connections	none
Closing panel	fixed
Fastening	at top

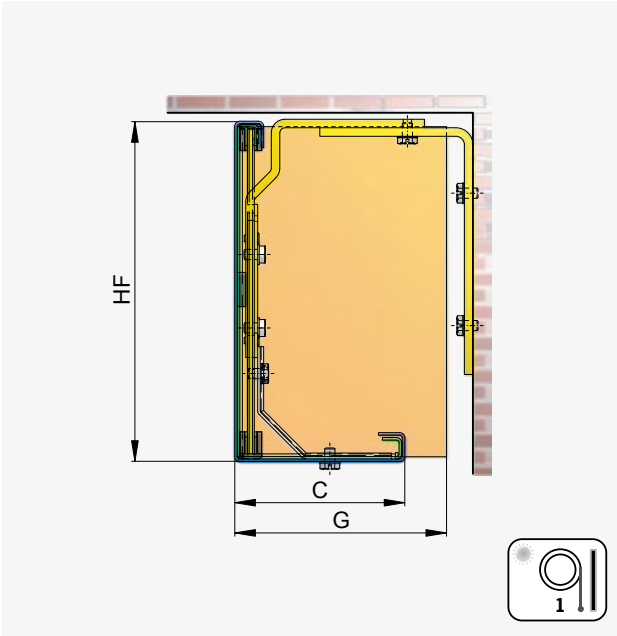
### 1.7 Straight cover



Corner connections	possible
Closing panel	loose
Soffit	removable
Clip, fastening	at top or rear

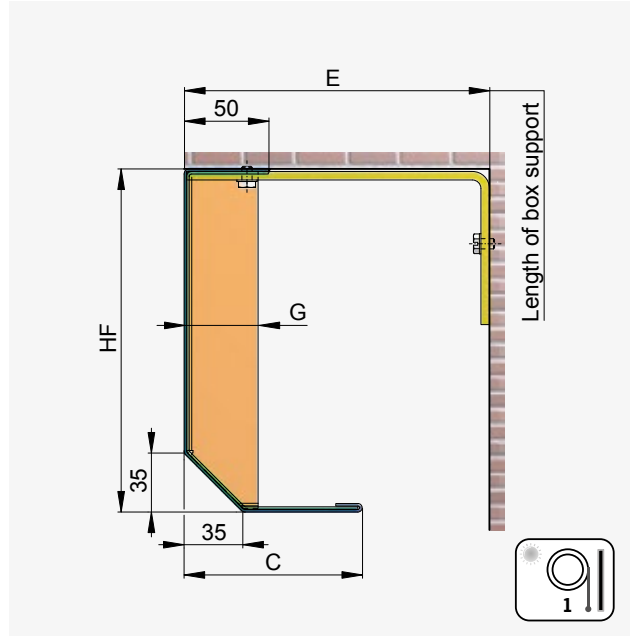
HF: Height of front panel  
 C: Depth of front panel  
 G: Depth of closing panel  
 BU: Width of soffit

### 5.1 Straight cover



Corner connections	possible
Closing panel	fixed
Soffit	fixed
Clip, fastening	at top or rear

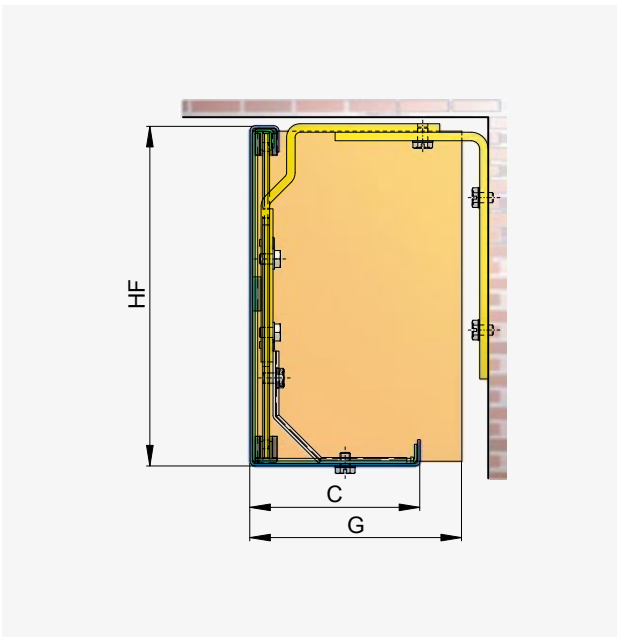
### 5.3 Cover 45° at bottom



Corner connections	none
Closing panel	fixed
Soffit	fixed
Fastening	at top*

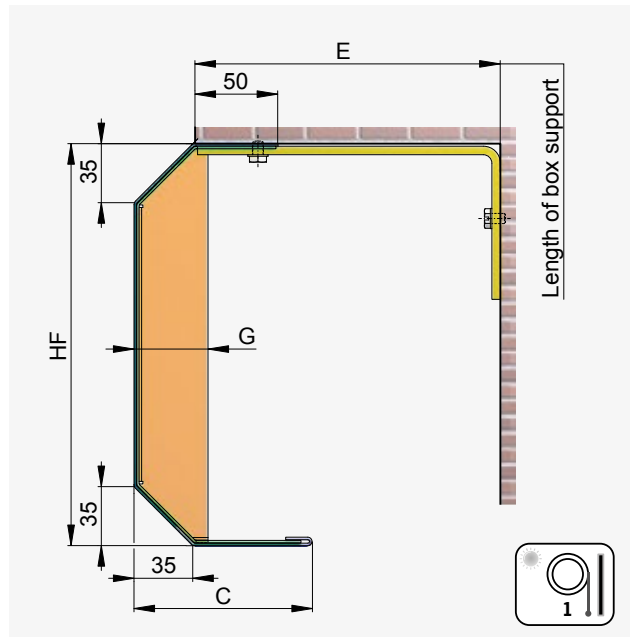
\* with box support

### 5.2 Straight cover



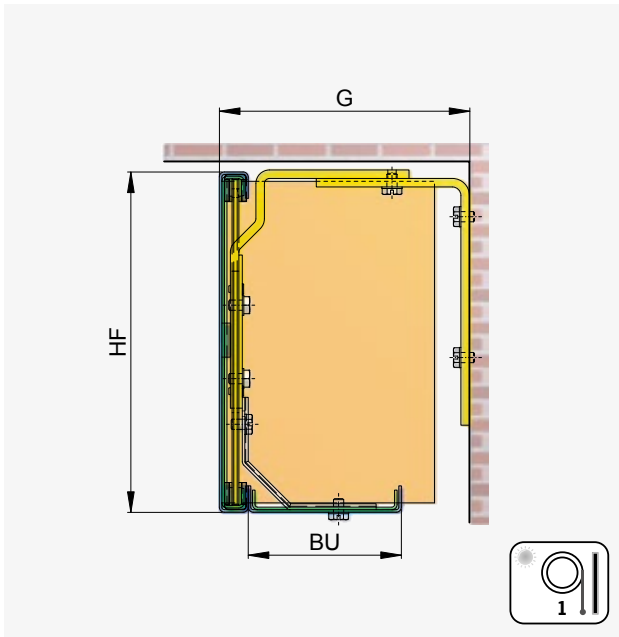
Corner connections	possible
Closing panel	fixed
Soffit	fixed, completely closed
Clip, fastening	at top or rear

### 5.4 Cover 45° at top and bottom



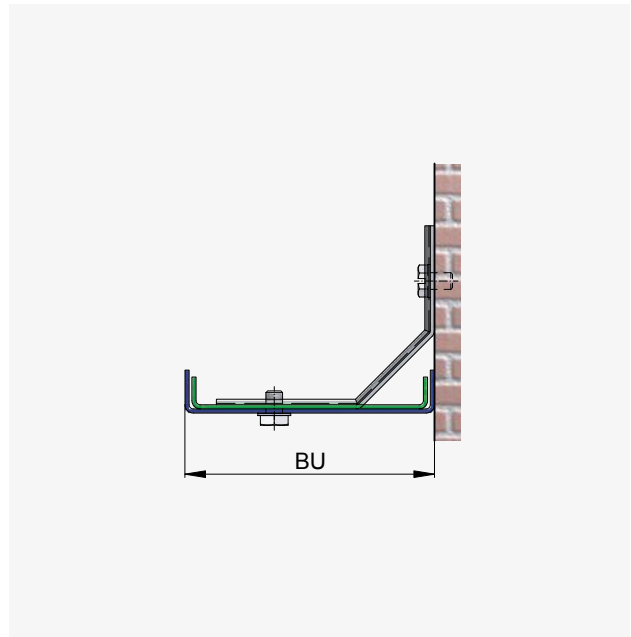
Corner connections	none
Closing panel	fixed
Soffit	fixed
Fastening	at top or rear

### 6.1 Straight cover



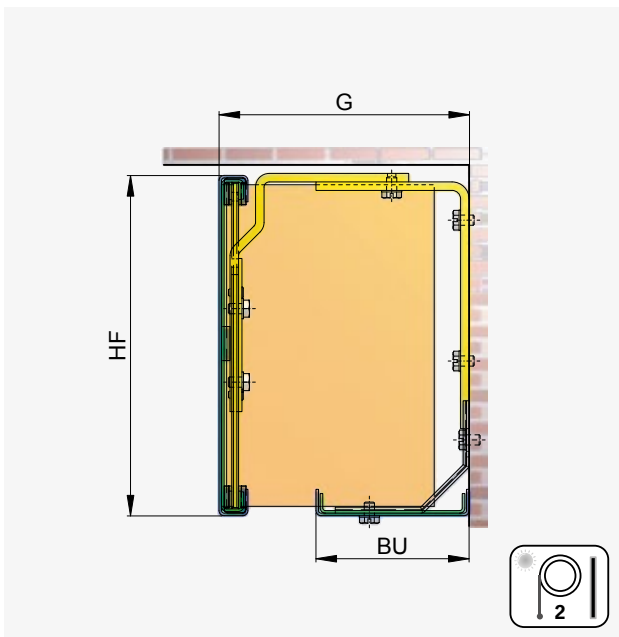
Corner connections	possible
Closing panel	loose
Soffit	removable
Clip, fastening	at top or rear

### 7.1 Soffit from 60 mm



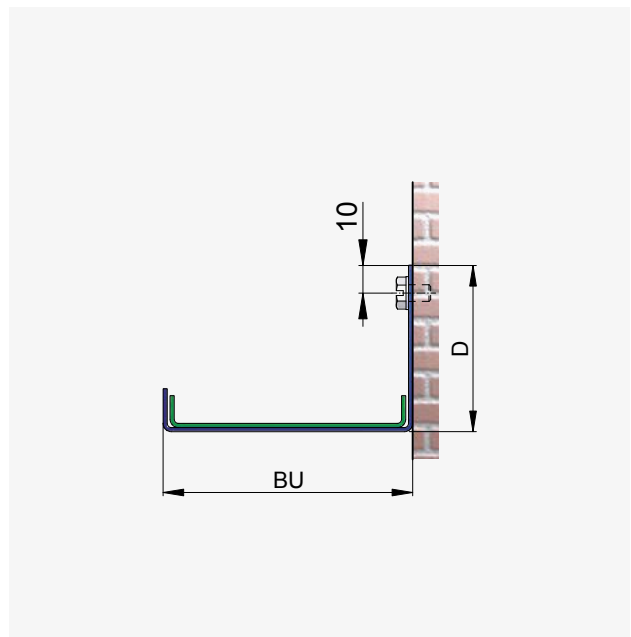
Corner connections	none
Clip, fastening	at rear

### 6.2 Straight cover



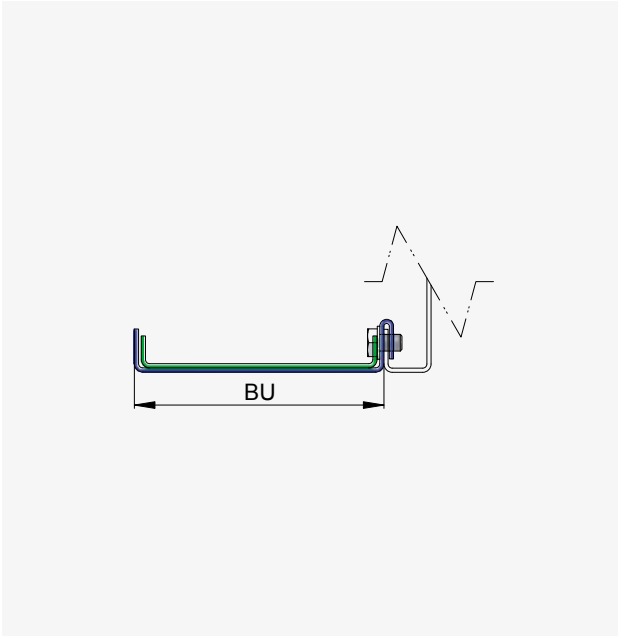
Corner connections	possible
Closing panel	loose
Soffit	removable
Clip, fastening	at top or rear

### 7.2 Soffit to 140 mm without clip



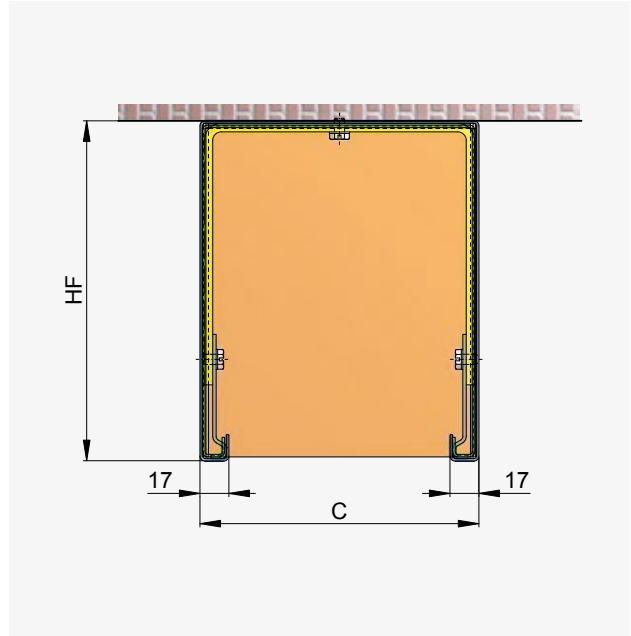
Corner connections	none
Clip, fastening	at rear

### 7.3 Soffit for hanging, without clip



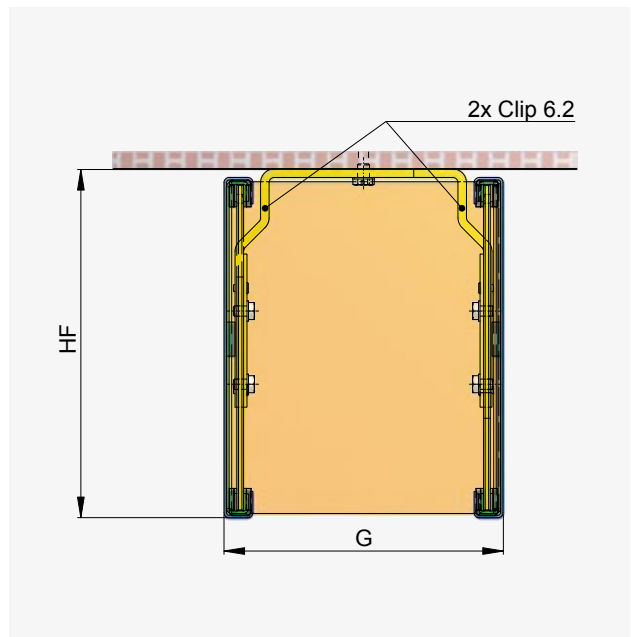
Corner connections	none
--------------------	------

### 9.2 Cover below header



Corner connections	none
Closing panel	fixed
Clip, fastening	at top or rear

### 9.3 Cover inside and outside below header

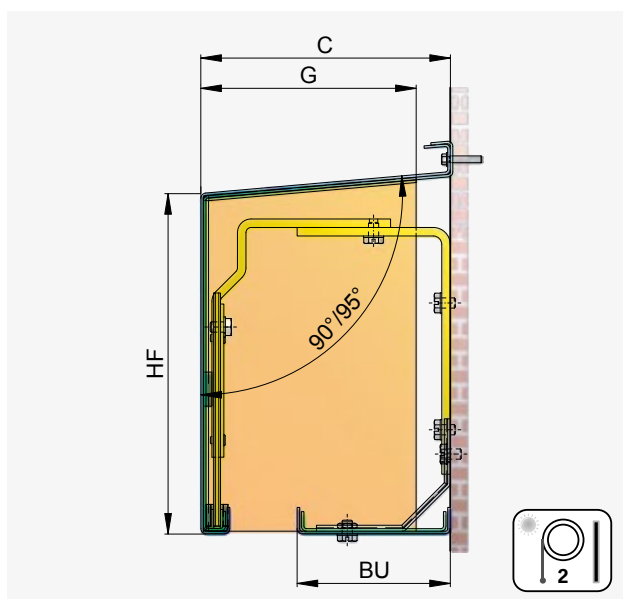


Corner connections	none
Closing panel	loose
Clip, fastening	at top

HF: Height of front panel  
 C: Depth of front panel  
 G: Depth of closing panel  
 BU: Width of soffit

## Facade

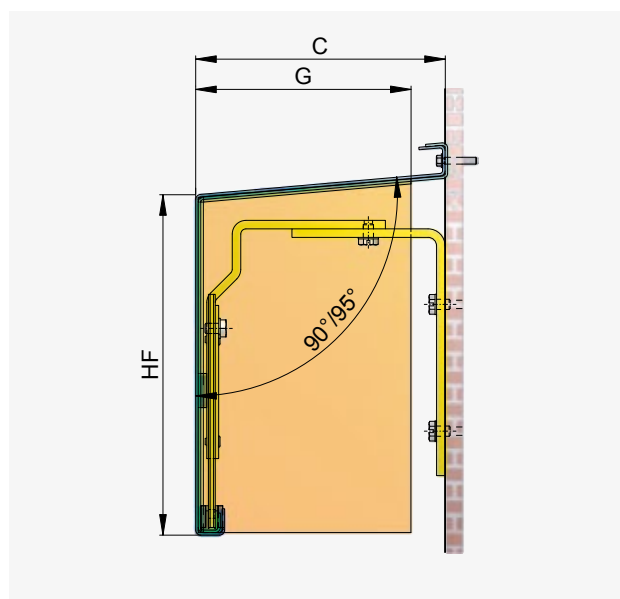
### 3.1 Porch cover



Option with 90° (depth C)

Corner connections	possible
Closing panel	fixed
Soffit	removable
Clip, fastening	at rear

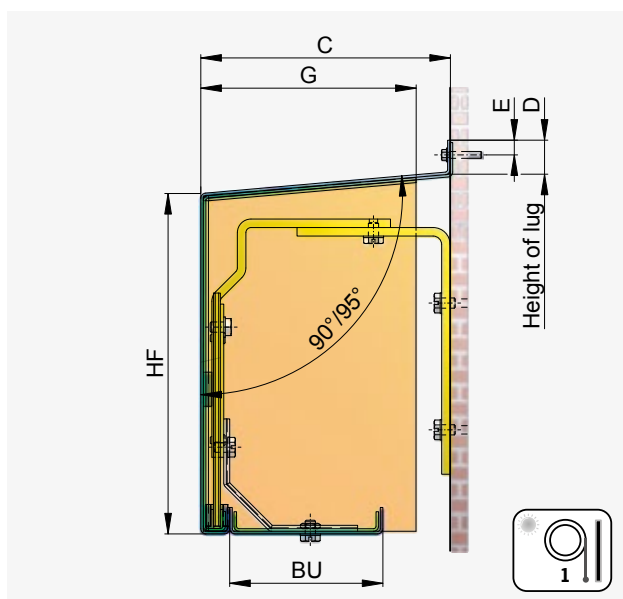
### 8.1 Porch cover



Option with 90° (depth C)

Corner connections	possible
Closing panel	fixed
Clip, fastening	at rear

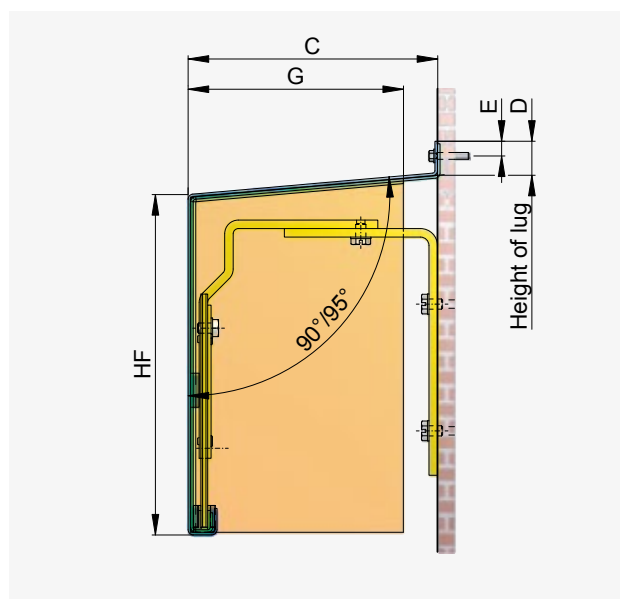
### 4.1 Porch cover



Option with 90° (depth C)

Corner connections	possible
Closing panel	fixed
Soffit	removable
Clip, fastening	at rear

### 8.2 Porch cover below weatherboard

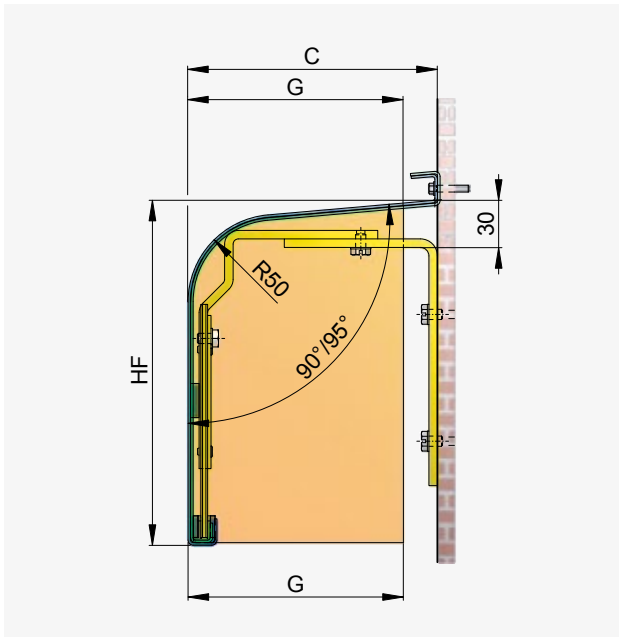


Option with 90° (depth C)

Option of ledge at bottom (D dimension)

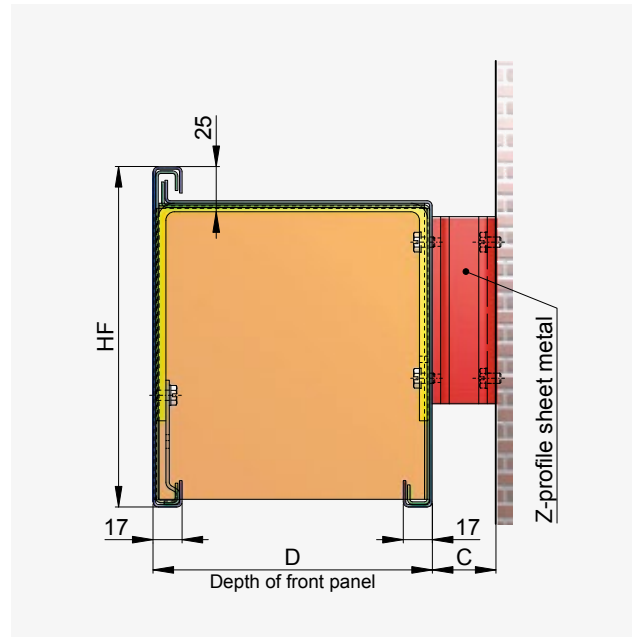
Corner connections	possible
Closing panel	fixed
Clip, fastening	at rear

### 8.3 Porch cover, semi-circular



Corner connections	none
Closing panel	fixed
Clip, fastening	at rear

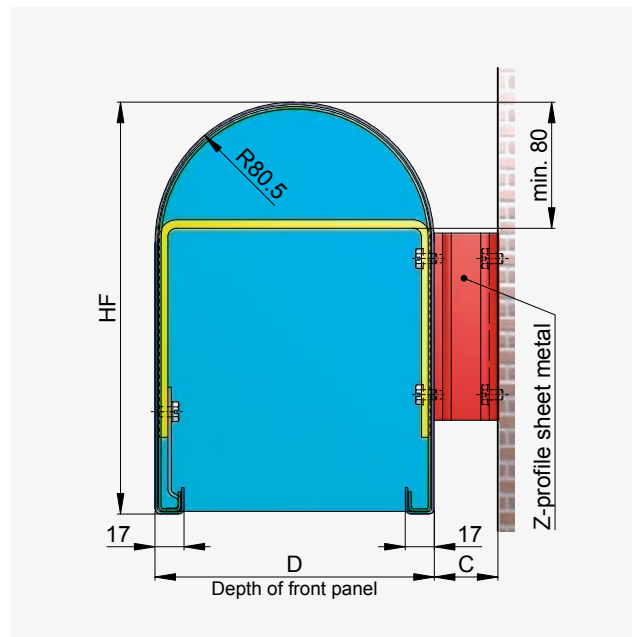
### 9.1 Suspended cover



Distance from facade: min. 20 mm  
Z-bracket (C dimension): 20–50 mm

Corner connections	none
Closing panel	loose
Clip, fastening	at rear

### 9.4 Suspended round cover



Distance from facade: min. 20 mm  
Z-bracket (C dimension): 20–50 mm

Corner connections	none
Closing panel	fixed
Clip, fastening	at rear

HF: Height of front panel  
C: Depth of front panel  
G: Depth of closing panel  
BU: Width of soffit







# Index

**C**

Complete clip 8

**D**

Definitions of dimensions 6

**F**

Facade 15

**L**

Limit dimensions 6

**M**

Miter joints (principle) 9

**O**

Open header 10

**S**

Sheet thicknesses 8



