



Caduta



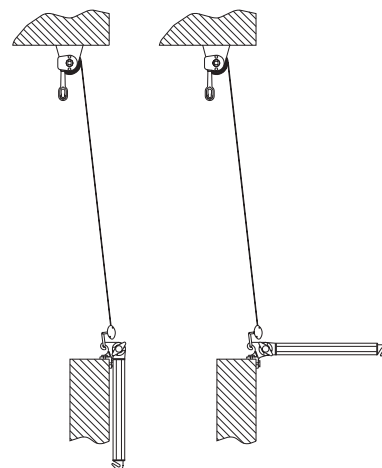
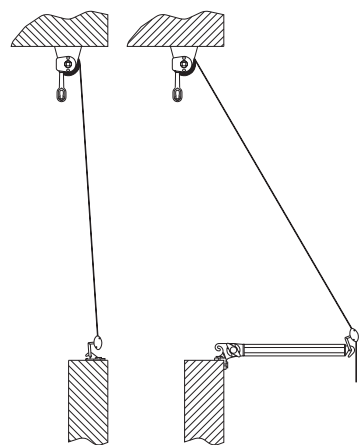
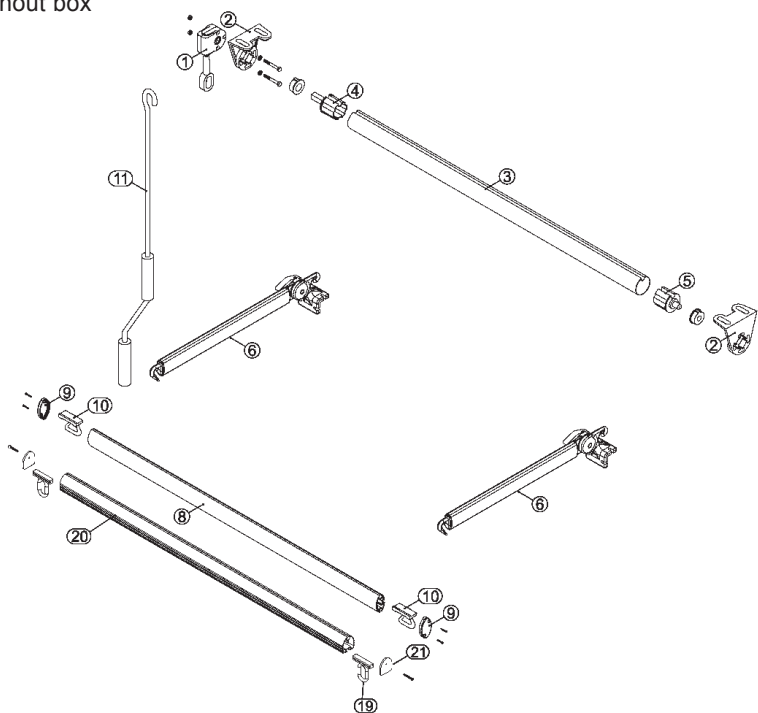
CADUTA is a simple entry-level drop awning for balconies. This model may be with or without arms and works in three different ways: using a reduction winch, using a preassembled spring or tubular motor operated.

The arms can be adjusted on fixed positions ranging from 0° to 180° through a dedicated cog rail handle. The installation can be done either on the ceiling or on the wall. An aluminium hood is available as an option. The maximum recommended dimensions are 500cm width and 70cm projection (with arms).

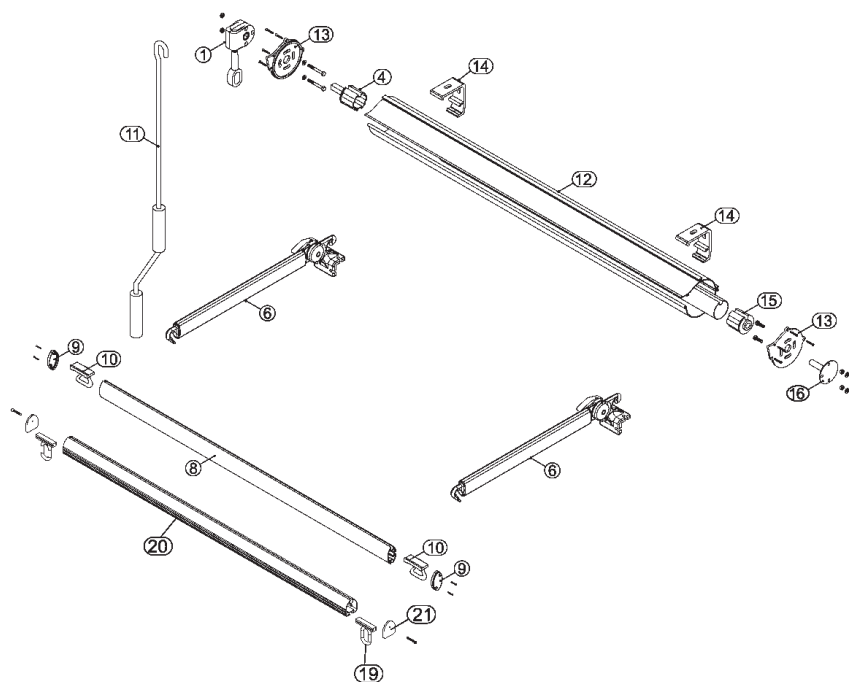


TECHNICAL SPECIFICATIONS & FEATURES

Without box



With box



Different solutions
for Installation and use

