



Rolling Shutters - Alucolor®



The moving slat connection of Alucolor® 41 and the fixed slats of Alucolor® 25 make these rolling shutters ideal for a little privacy. They also ensure that rooms can be flooded with light and supplied with fresh air. Daylight is refracted by the black groove. The following colors improve shading: VSR 010, VSR 130, VSR 240, VSR 901, VSR 904 and RAL 9010. The sliding arm mechanism, which is available as an option, ensures that the room is ventilated.



min. 400mm
min. 4000mm, (41mm slat)
max. 5000mm, (25mm slat)



min. 400mm
max. 4000mm



max. 9m², (41mm slat)
max. 10m², (25mm slat)



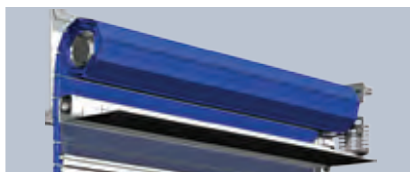
TECHNICAL SPECIFICATIONS & FEATURES

The rolling shutter with aluminum slats – with modular technology.

Built-in rolling shutters



Alucolor®



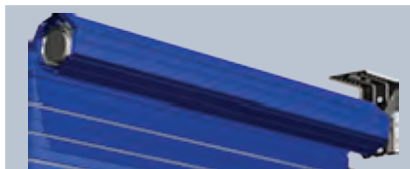
Fix 16+

In the Alucolor® Fix 16+ system, the bearings are securely connected to the guide rails. This system features a wide range of options.



Fix

The Alucolor® Fix system is specially designed for small header dimensions. The bearings are securely connected to the guide rails.



Conventional

In the Alucolor® Conventional system, the bearings are fitted in the header.

Front mounted rolling shutters



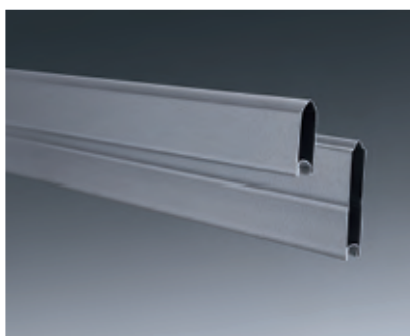
Alucolor® Box



External roller (type A)

The Alucolor® Box system is suitable for all kinds of front mounted solutions. A wide range of options can be added to the system on request.

Box 167, 182 or 205 mm

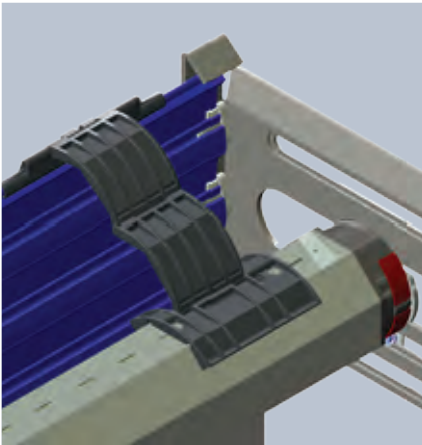


25 and 41 mm slats

	Alucolor® / Alucolor® Box			
Version	Fix 16+	Fix	Conventional	Box
without automatic locking	Standard	Standard	Standard	Standard
with automatic locking	Optional	Optional	-	Optional

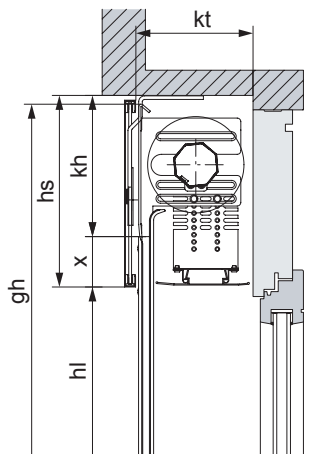
Alucolor® Fix 16+

- Slats 25 or 41 mm
- Automatic locking (optional)
- Integrated insect screen roller blind (optional)
- Soffit cover (optional)



Automatic locking

Built-in versions



In the case of a manual drive, 20 mm of the end rail under the header is exposed.

Limit dimensions

Alucolor® Fix 16+

bk Width of construction (rear edge of guide rails)		gh Total height	
Minimum		Minimum	400
– Crank drive	400	Maximum	2900
– Motor drive	740	bk × gh Maximum surface area	
Maximum	3500	Single rolling shutter	6 m ²
Connected systems			
– 2 rolling shutters			6 m ²

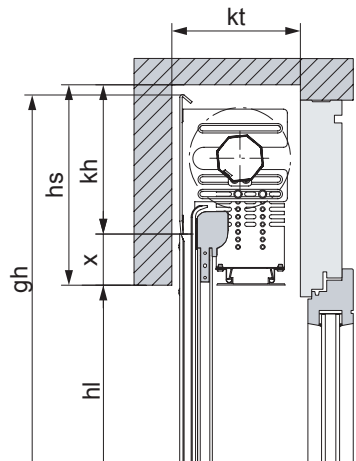
Dimensions depending on height (25 mm slat)

gh Fix 16+	Minimum box depth	Minimum box height
1000 mm	150 mm	185 mm
1250 mm	160 mm	185 mm
1500 mm	170 mm	185 mm
1750 mm	180 mm	185 mm
2000 mm	190 mm	185 mm
2250 mm	195 mm	190 mm
2500 mm	205 mm	195 mm
2750 mm	210 mm	205 mm
3000 mm	225 mm	215 mm

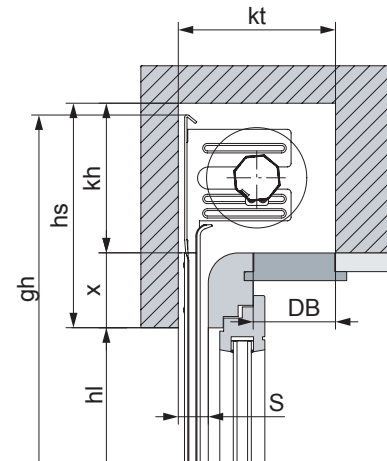
Dimensions depending on height (41 mm slat)

gh Fix 16+	Minimum box depth	Minimum box height
1000 mm	160 mm	185 mm
1250 mm	170 mm	185 mm
1500 mm	190 mm	185 mm
1750 mm	190 mm	185 mm
2000 mm	200 mm	195 mm
2250 mm	215 mm	205 mm
2500 mm	225 mm	215 mm
2750 mm	235 mm	225 mm
3000 mm	245 mm	235 mm

Example with insect screen roller blind



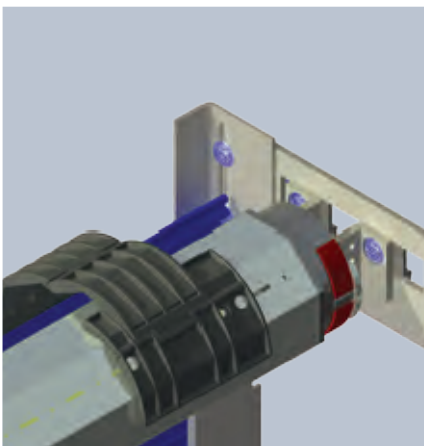
In the case of a manual drive, 20 mm of the end rail under the header is exposed.



S = min. 46 mm for turning the guide.
In the case of a manual drive, 20 mm of the end rail under the header is exposed.

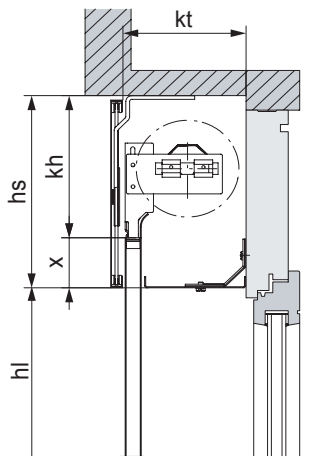
Alucolor® Fix

- Slats 25 or 41 mm
- Automatic locking (optional)
- Soffit cover (optional)
- Integrated insect screen roller blind not available

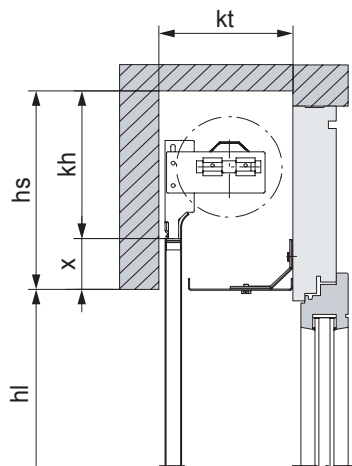


Automatic locking

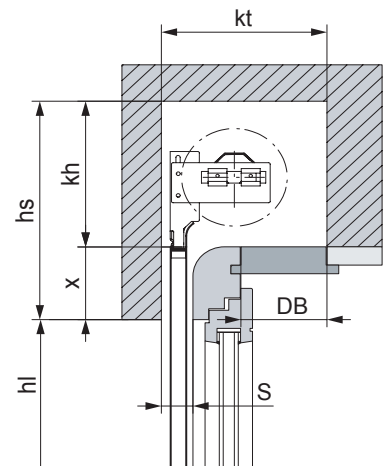
Built-in versions



In the case of a manual drive, 20 mm of the end rail under the header is exposed.



In the case of a manual drive, 20 mm of the end rail under the header is exposed.



In the case of a manual drive, 20 mm of the end rail under the header is exposed.

Limit dimensions

Alucolor® Fix

bk Width of construction (rear edge of guide rails)		hl Opening height + x	
Minimum		Minimum	400
Maximum	3000	Maximum	2500
bk × hl Maximum surface area		Connected systems	
Minimum	400	– 2 rolling shutters	6 m ²
Maximum	740		
Maximum	3000		

Dimensions depending on height (25 mm slat)

hl Fix	Minimum box depth	Minimum box height
1000 mm	150 mm	185 mm
1250 mm	160 mm	185 mm
1500 mm	170 mm	185 mm
1750 mm	180 mm	185 mm
2000 mm	190 mm	185 mm
2250 mm	195 mm	190 mm
2500 mm	205 mm	195 mm

Dimensions depending on height (41 mm slat)

hl Fix	Minimum box depth	Minimum box height
1000 mm	160 mm	185 mm
1250 mm	170 mm	185 mm
1500 mm	190 mm	185 mm
1750 mm	190 mm	185 mm
2000 mm	200 mm	195 mm
2250 mm	215 mm	205 mm
2500 mm	225 mm	215 mm

Alucolor® Conventional

- Slats 25 or 41 mm
- Integrated insect screen roller blind not available



Limit dimensions
Alucolor® Conventional

bk Width of construction (rear edge of guide rails)		hl Opening height	
Minimum		Minimum	400
Maximum		Maximum	4000
- Crank drive	400	bk × hl Maximum surface area	
- Motor drive	740	Single rolling shutter	
Maximum		- Slats 41 mm	9 m ²
- Slats 41 mm	4000	- Slats 25 mm	10 m ²
- Slats 25 mm	5000	Connected systems	
		- 2 rolling shutters	9 m ²

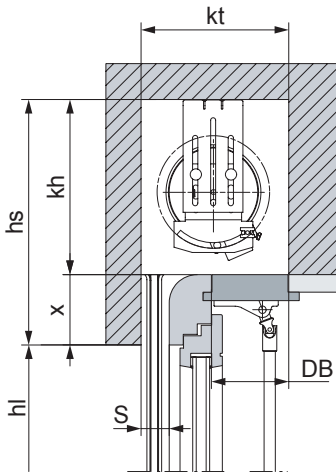
Dimensions depending on height (25 mm slat)

hl Conventional	Minimum box depth and height (tube ø 60) bk ≤ 3500 and A ≤ 4,5 m ²	Minimum box depth and height (tube ø 60) bk > 3500 and A > 4,5 m ²
1000 mm	145 mm	155 mm
1250 mm	155 mm	165 mm
1500 mm	165 mm	175 mm
1750 mm	175 mm	185 mm
2000 mm	180 mm	190 mm
2250 mm	190 mm	200 mm
2500 mm	195 mm	205 mm
2750 mm	205 mm	215 mm
3000 mm	225 mm	235 mm
3500 mm	240 mm	250 mm
4000 mm	255 mm	260 mm

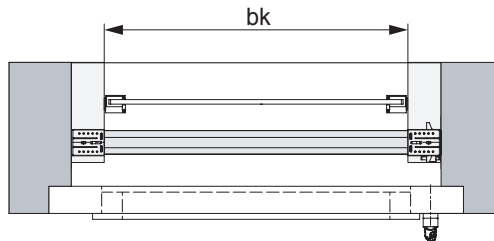
Dimensions depending on height (41 mm slat)

hl Conventional	Minimum box depth and height (tube ø 60) bk ≤ 3500 and A ≤ 4,5 m ²	Minimum box depth and height (tube ø 60) bk > 3500 and A > 4,5 m ²
1000 mm	155 mm	165 mm
1250 mm	160 mm	170 mm
1500 mm	180 mm	190 mm
1750 mm	185 mm	195 mm
2000 mm	195 mm	205 mm
2250 mm	205 mm	215 mm
2500 mm	215 mm	225 mm
2750 mm	225 mm	235 mm
3000 mm	235 mm	245 mm
3500 mm	250 mm	260 mm
4000 mm	265 mm	270 mm

Built-in version



In the case of a manual drive, 20 mm of the end rail under the header is exposed.



Key

- bk = Width of construction
- hl = Opening height
- hs = Header height
- gh = Total height
- kt = Depth of box
- kh = Height of box
- DB = Width of ceiling opening (min. 100 mm)
- S = Width of slot: min. 40 mm; for rolling shutters of more than 2450 mm, wide min. 45 mm
- X = Guide extension

All dimensions in mm.

Alucolor® Box

- Slats 25 or 41 mm
- Automatic locking (optional)
- Integrated insect screen roller blind (optional)

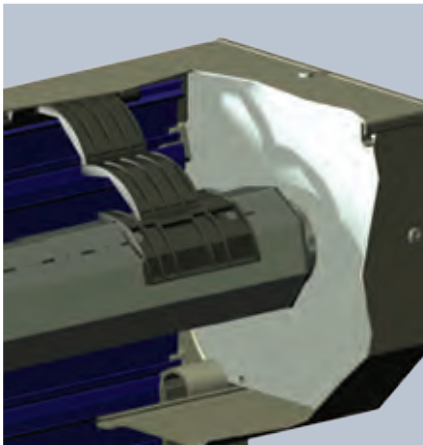


Limit dimensions
Alucolor® Box

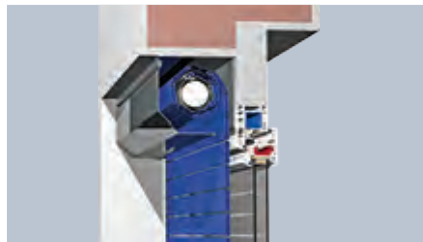
bk Width of construction (rear edge of guide rails)		bk × gh Maximum surface area	
Minimum		Single rolling shutter	5.5 m ²
- Crank drive	400	Connected systems not available.	
- Motor drive	740		
Maximum	3000		

Housing / total height dimensions (25 / 41 mm slat)

gh Total height	Housing dimensions	
1700 / 1500 mm	167 x 167 mm	
2300 / 1800 mm	182 x 182 mm	
2700 / 2500 mm	205 x 205 mm	



Automatic locking

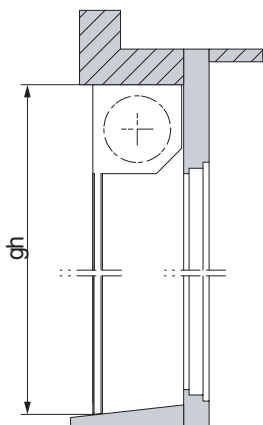


Internal roller (type B)

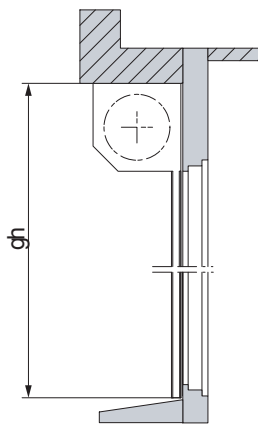


Facade installation (type C)

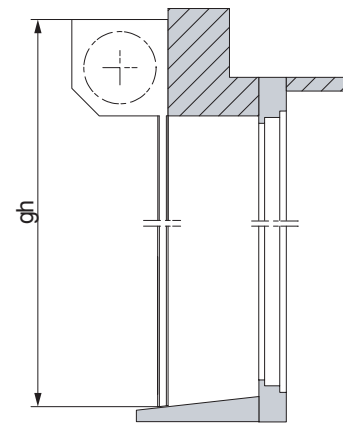
Built-in version



External roller (type A)
In the case of a manual drive, 20 mm of the end rail under the header is exposed.



Internal roller (type B)
In the case of a manual drive, 20 mm of the end rail under the header is exposed.



Facade installation (type C)
In the case of a manual drive, 20 mm of the end rail under the header is exposed.

Slats

Slats 25 mm

Curtain with fixed slat connection, ideal for large windows.



Slats 41 mm

Curtain with air and light slots thanks to a mobile slat connection made from stainless steel.



Options

Sliding arm

Limit dimensions

bk Width of construction
(rear edge of guide rails)

Maximum

– Normal sliding arm	2000
– Lever sliding arm	2500

hl Opening height

Minimum 1000

Maximum

In accordance with rolling shutters

bk × hl Maximum surface area

Maximum 6 m²



Normal sliding arm



Lever sliding arm

Integrated insect screen roller blind

Limit dimensions

bk Width of construction
(rear edge of guide rails)

Maximum

– Windows	2000
– Doors	1400

hl Opening height

Maximum

– Windows	1680
– Doors	2480



Integrated insect screen roller blind

Design description

Built-in rolling shutters

Rolling shutters made from aluminum, self-supporting system with bearing (tube) fitted on guide rails or bearing (tube) fitted in header on load-bearing base. Guide rails fitted between soffits on load-bearing base.

Front mounted rolling shutters

Housing rolling shutters made from aluminum, self-supporting system with bearing (tube) on guide rails. Guide rails fitted between soffits on load-bearing base. Housing made from aluminum, baked enamel finish.

Rolling shutter curtain

Slats 25 or 41 mm, hollow aluminum profile, with mechanical connection. Bottom rail (end rail) made from extruded aluminum, transparently anodized (baked enamel finish for an additional charge).

Guide rails: Built-in rolling shutters

Guide rails made from extruded aluminum, transparently anodized (baked enamel finish for an additional charge), with guide rail beading, 21 x 30 mm, 22 x 36 mm, 21 x 40 mm.

Guide rails: Front mounted rolling shutters

Guide rails made from extruded aluminum, baked enamel finish, with guide rail beading, for slats 25/41 mm: 22 x 53 mm.

Integrated insect screen roller blind

Guide rails connected to shutter guides, integrated spring shaft, fiber glass fabric with PVC casing, 7 x 6 meshes per cm², size of hole approx. 1.44 mm².

Normal and lever sliding arm

Sliding arms made from steel, galvanized, hinge made from stainless steel, lever made from aluminum, transparently anodized.
Colors for rolling shutter curtain

Colors for rolling shutter curtain

GriColors

The GriColor range includes 100 color shades in four collections, Glass & Stone, Sun & Fire, Water & Moss and Earth & Wood – from cool white and sunny red to natural blue and earthy brown.

BiColor (optional for 41 mm slats)

Rolling shutters get a new color: when the outside of the slat is brightly colored, a neutral light tone on the inside can optimize the slat functions (for an additional charge). The guides and the end slat are transparently anodized (baked enamel finish in one color for an additional charge).

Operating instructions

- The systems must not be operated if there is a risk of ice.
- The systems must be accessible for maintenance work.
- Observe the VSR data sheets.

For more information about our services and products and for planning tips, go to www.griessergroup.com.

