



Softline Aluminium Venetian Blinds with Chain & Cords 16 & 25mm

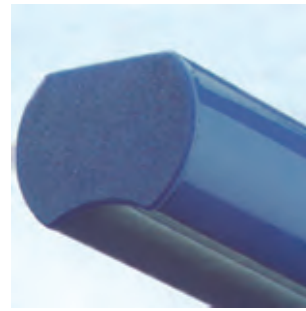
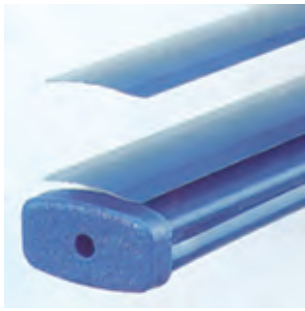


The detailed design of Softline, which is based on the correct development of the curved shape of the blinds, also develops a unique elegance in Softline Blinds.

Softline Aluminium Venetian Blinds are available in four major categories:

- **Classical**
- **Perforated**
- **Granite look - Printed**
- **Wood look**

The head rail, bottom rail, the cords and ladder cords are available in the same colours as the blinds themselves.



TECHNICAL SPECIFICATIONS & FEATURES

■ **The Aluminium Venetian Blinds** are according to the slat's width 16, 25mm. The slats are electrostatic painted ensuring high residence to the humidity and ultraviolet rays.

■ **Various control options** can be used, such as cord, acrylic rod, or electrical controlled by switch, remote control or solar sensor.

■ **The Head Rail** is curve shaped 35x27mm 0,4 thickness. The material is chemically pre-treated and stove-enamelled in order to obtain the maximum adherence of the paint and resistance to corrosion. By using Softline Head rail, the light gap below the head rail is eliminated.

■ **The bottom rail** is 19x10mm of a special shape modern designed.

■ **The cord lock** is made of glass-reinforced plastic with two separate cord channels to prevent entangle of cords ensuring easy lowering, raising and locking of the blinds at any height.

■ **The cords** are 1,4mm diameter made terylene yarn with a reinforced core for smooth and safe operation.

■ **The fixing brackets** are made of reinforced metal and are available in many types enabling the installation in various positions.

■ **The ladder braids** are 13.2x28mm for 16mm Venetian Blinds, 21.5x28mm for the 25mm and 44x54mm for the Venetian Blinds.

■ **The plastic end cap** for the head and bottom rails are available in the same colour as the rail.

■ **Electric operation** controlled by switch, remote control or sun-sensor could be optionally provided.

■ The Aluminium Softline Venetian Blinds are **made on measure**.

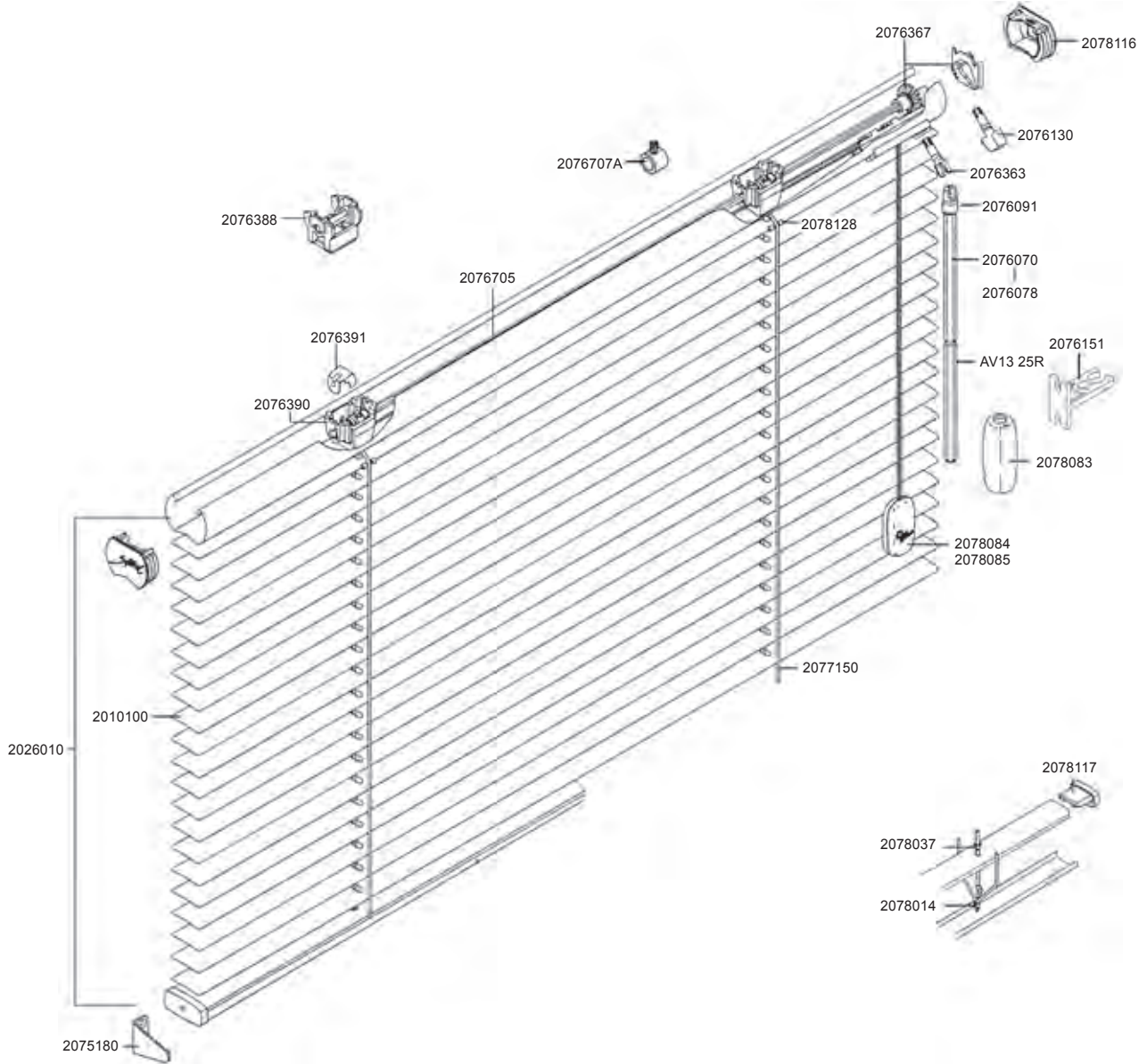
Number of Brackets	
Width of Blinds (cm)	Brackets
40 - 120	2
121 - 200	3
201 - 270	4

Maximum and Minimum Dimensions		
(cm)	16mm	25mm
Max. Width	180cm	270cm
Max. Height	250cm	300cm
Min. Width	27cm	27cm

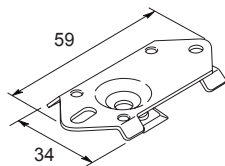
Dimensions of Slats		
(mm)	16mm	25mm
Thickness	0.22	0.21
Hole	3.4x6.3	3.4x10.8

Stacking Height		
Blind Drop (cm)	Stacking Height	
	16mm	25mm
100	8cm	8cm
120	9cm	8.5cm
140	10cm	9cm
160	11cm	9.5cm
180	11.5cm	10.5cm
200	12cm	11cm

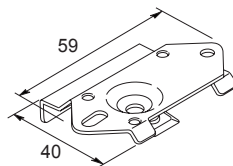
SOFTLINE SYSTEM WITH HEAD RAIL 35x27mm



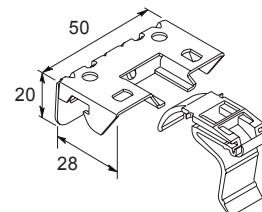
BRACKETS FOR SOFTLINE HEAD RAIL 35x27mm



20 75 146 Ceiling Bracket

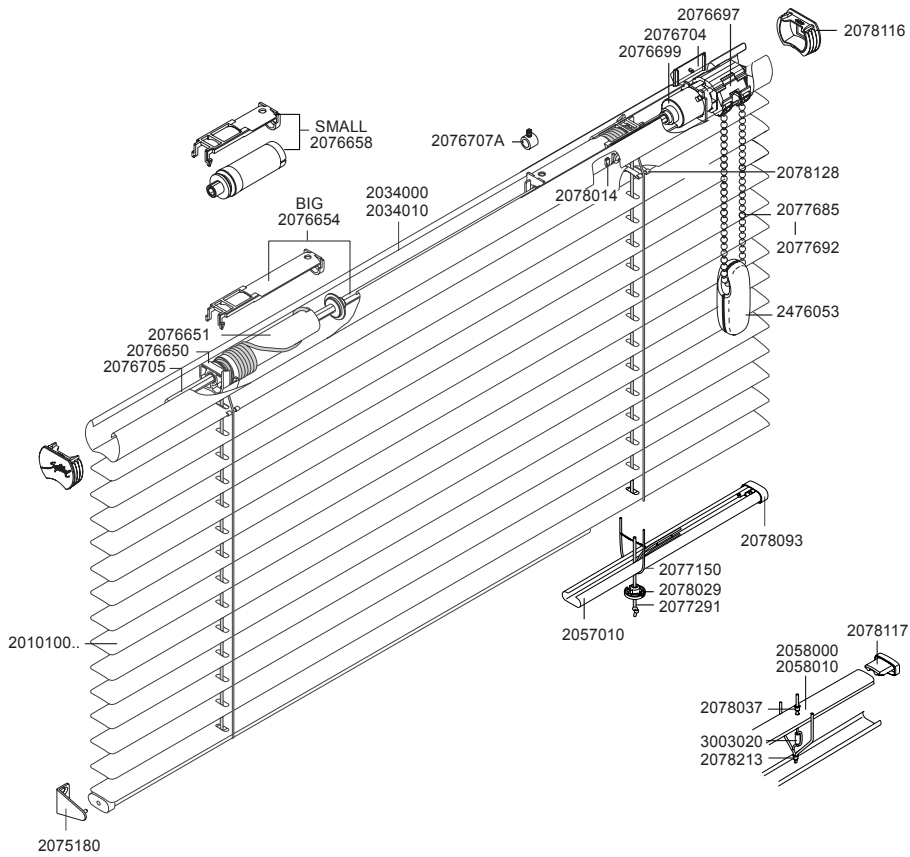


20 75 145 Ceiling and Wall Bracket

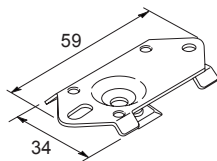


20 75 137 Invisible Bracket

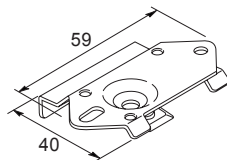
HEAD RAIL SOFTLINE 35x27mm



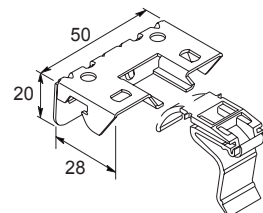
FIXING BRACKETS FOR SOFTLINE HEAD RAIL 35x27mm



20 75 146 Ceiling Bracket



20 75 145 Wall and Ceiling Bracket



20 75 137 Invisible Bracket