



Perfect Fit Window Blinds

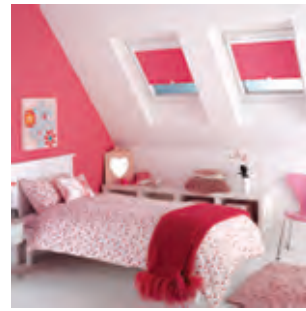


The Perfect fit is an attractive and innovative window blind. The window blind fits neatly into a stylish frame, which moves together with the windows and doors when they are opened and closed giving you the perfect combination of shade and ventilation.

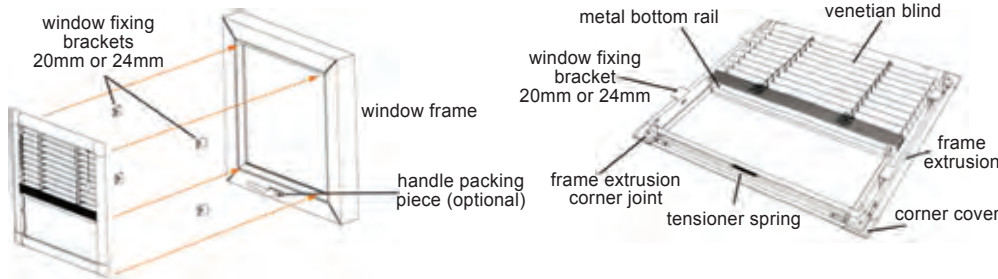
It is a frame system supporting Venetian Blinds (wooden or aluminium) and roller blinds which is fitted with special clips unto the elastic strip surrounding the window or door frame.

- The fitting of perfect fit is made without any drilling or screwing work for a quick and clean installation
- Reduced gaps at the edge of the blinds increases privacy
- Leaves window sills clutter free
- Easy removable for cleaning
- Perfect fit is a child safe product in accordance with BBSA regulations
- One of the unique features of the perfect fit is its outstanding thermal efficiency. The frame fits flush against window to help reduce heat build up in the summer and retain heat in the winter.

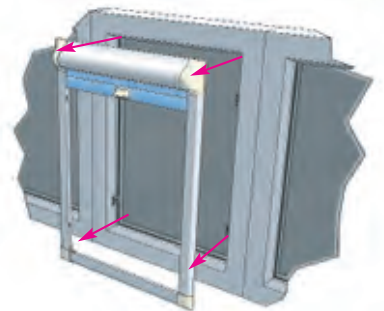
• **Oeko-tex Standard**
Environmentally friendly. Tested for harmful substances.



TECHNICAL SPECIFICATIONS & FEATURES



Perfect Fit Frame



Perfect Fit Venetian Blinds

The perfect fit System is suitable for Aluminium or Wooden Venetian blinds 25mm.

The installation of a Perfect Fit Blind requires no drilling or screwing to the window or door frame for depths between 20 and 24mm (brackets available in 3 sizes 18, 20, 24mm). In very rare cases when the depth of the frame exceeds 24mm, installation is made by drilling and screwing.

The blind operates in tandem with the opening to allow total control of shade and ventilation.

Frames are available in white, silver or brown colour.

Minimum and maximum sizes:

MAXIMUM DROP (cm)	WIDTH								
	MIN	30	60	80	100	120	140	160	MAX
50									
100									
150									
190									
200									
250									
300									

Perfect Fit Roller Blinds

Unlike conventional roller shades the Perfect Fit Roller Blind is not operated by a looped chain side control or conventional spring.

Instead the unit is tensioned in such a way that allows the user to raise or lower the blind via the handle on the bottom bar. The blind fabric is under tension and the blind can be left in any position to allow as much or as little light in to the room.

Like all Perfect Fit products the installation of a Perfect Fit Roller Blind requires no drilling or screwing to the window or door frame for depths between 20 and 24mm (brackets available in 3 sizes 18, 20, 24mm). In very rare cases when the depth of the frame exceeds 24mm, installation is made by drilling and screwing.

Frames are available in white, silver or brown colour.

Maximum height depends on the width and fabric thickness as per attached table.

Fabric Thickness		Maximum Drop (mm)
A	B	
1	0.40	500
2	0.43	600
3	0.45	700
4	0.46	800
5	0.49	900
6	0.50	1000
7	0.54	1100
8	0.55	1200
9	0.56	1300
10	0.57	1400
11	0.59	1500
12	0.60	1600
13	0.64	1700
14	0.65	1800
15	0.75	1900
16	0.80	2000
17	1.00	
18	1.05	

