



Roller Blinds




The **Roller Blinds** are now firmly established as the most popular shading system for houses and workplaces, meeting the contemporary lifestyle requirements.

In addition to their high standard technical design, due to the colour and patterns variety, the roller blinds offer great possibilities for esthetical interior decoration combined with right and proper solar protection.

The designer has the choice of an extremely wide range of colours & patterns, transparent, dimout, blackout, perforated (screen) and adequate specifications for each place i.e.

- **Solar Protective Coating (SPC)**
- **Fire Retardant**
- **Trevira CS**
- **Ultra Fresh, Antibacterial**
- **Sound Absorbent**
- **Energy Save**
- **Pvc Free**

• **Oeko-tex Standard**
 Environmentally friendly. Tested for harmful substances.



TECHNICAL SPECIFICATIONS & FEATURES

CATEGORIES OF ROLLER BLIND FABRICS

SOLAR PROTECTIVE COATING (SPC)

The back applied coating is in SPC reflecting coating which upgrades their efficiency. The fabrics with SPC coating are reflecting the solar radiation better than conventional materials. Designed specifically to comply with the optical and solar characteristic demanded by the EEC Health & Safety Directive 90/270, they are improving also the working conditions of the computer users. The reduced solar heat gain owing to the better reflection provides lower cooling costs. Therefore the SPC fabrics are the ideal solution for shading any work areas or domestic use.

BLACK OUT

The black out fabrics offer high opacity being the best solution for bedrooms, television places, conference rooms.

DIM OUT

They ensure balanced light transmission inside, being ideal for living rooms, children's rooms, school rooms, nursery, libraries, etc.

SCREEN

Perforated fabrics enable visual contact with the outside place ensuring the same time effective control on lighting and solar protection inside. They are recommended in showrooms and public institutions in general.

FILMS

With special solar reflective coating, they provide anti-glare protection indoors and invisibility from outside being a practical solution for control tower in airports and computer workplaces.

ULTRA FRESH

Fabrics with antibacterial coating which reduce the bacteria, micro-organism and MRSA multiply. Providing also effective antifungal properties they preserve hygienic freshness and are the correct shading solution for hospitals, laboratories, beauty salons, etc.

STAIN RESISTANT

Fabrics with anti dust and stain resistant characteristics.

SOUND ABSORPTION

A big variety of Trevira CS fabrics are available. They combine technical functionality with an exceptional look and can achieve considerable improvements in room acoustics. Tested in reverberation rooms for noises of 500Hz - 4000Hz, the practical sound absorption coefficient reach excellent results - values between 0.55-0.65".

FIRE RETARDANT

A category of roller fabrics are fire retardant, complying with various international standards depending on the fabric tested. Some of them are: FTS17 - BS 5867 1980 PART2 TYPE B DIN 4102 B1 - DIN 4102 B2 - AFNOR 92-503 Can/ULC-S109-M87 92-503 - NFPA 701 (Small and Large)

MECHANISM SPECIFICATION AND FEATURES

CONTROL

The blinds are manually or electrical operated through the following control systems:

CHAIN SYSTEM - PLASTIC OR METAL
SPRING SYSTEM
MOTORISED

ROLLER TUBE

The roller tube is made of extruded aluminium.

Depending on the size of blinds and control type, they are used various types:

- Manual operation: diameter 32mm single slot, 38mm double slot, 45mm triple slot, large size systems 53-58mm.
- Motorized operation: diameter 45mm, 51mm, 62mm, 76mm.

BOTTOM BAR

The bottom bar is of aluminum white or anodized and could be covered with the same roller fabric for esthetical reasons. They are various types used according with the blind size and fabric thickness (flat type, large bottom rail with weight inserted, etc) For the optional finishing requirement, there is available another profile for the bottom bar with an additional channel which offer the possibility to be inserted decorative finishes.

FINISHING

Usually the finishing is simple, with only the bar at the bottom. Optionally are provided a wide variety of special finishes.

FINISHES

Finishes are in various shapes (Classic, Colonial, Provence, Castille, Temple, SC-1, SC-5, SC-10, SC-11, SC-12). All these shapes are illustrated on the roller blind catalogue. It is also possible to be decorated with fringes and for the particular meander shape finishing various rods and finials could be selected.

ROLLING WAY

The rolling way is BACK or FRONT SHAPE. The fabric could be inserted behind or in front of the roller tube resulting the rolling on the back or on the front of the blind.

CHAIN WEIGHT

The weight is adding style to the roller blind and keeps the chain tensioned.

CHAIN AND CHAIN WEIGHTS

Chain and chain weights are available in various colours matching with the roller blind fabrics.

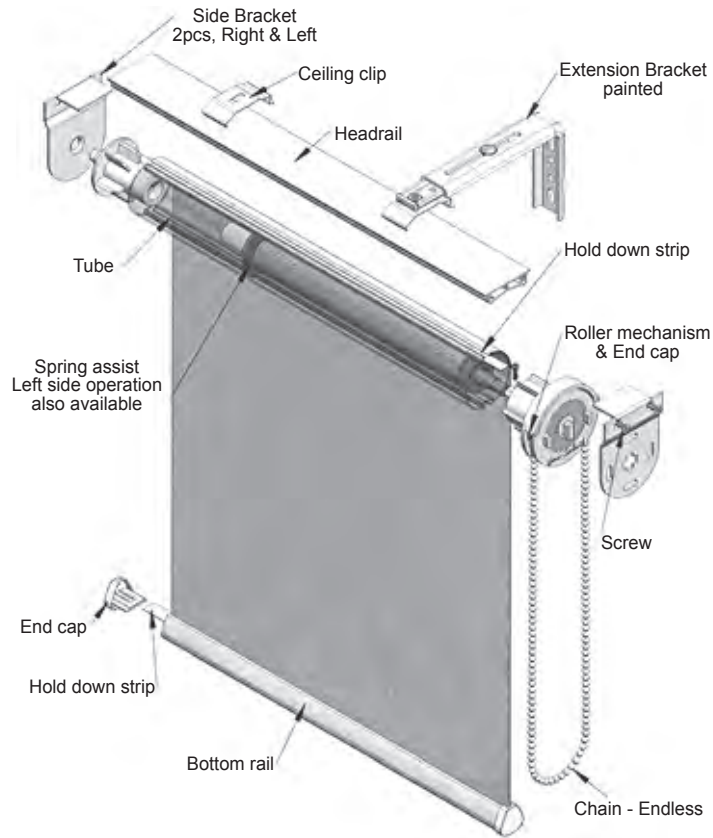
MOTORISED

Motorised operation could be provided on request. The motor could be controlled by switch, by remote control, solar sensor, timer, animeo, BMS systems, etc.

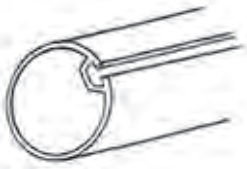
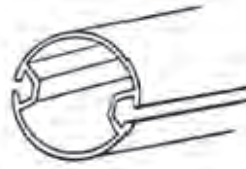
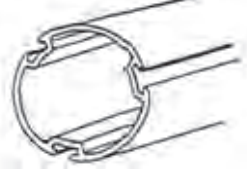






MADE ON MEASURE






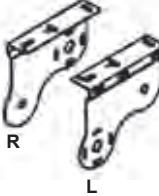





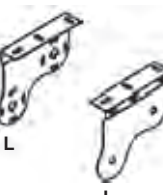








The roller blinds are manufactured on the specific dimensions required, providing a perfect fitting.




ROLLER BLINDS COMPONENTS






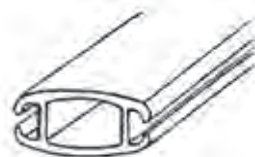










ROLLER BLIND MECHANISM 32, 38, 45mm






SYSTEM 32mm	SYSTEM 38mm	SYSTEM 45mm
RBT32ML Aluminium Tube  Max 200cm	RBT40ML Aluminium Tube  Max 270cm	RBT45ML Aluminium Tube  Max 350cm
R3005 Roller Mechanism with end cap & Bracket Chain operation for 6.0, 6.2 and 12mm pitch # 10 chain  3,5kg	R3025 Roller Mechanism with end cap & Bracket Chain operation for 6.0, 6.2 and 12mm pitch # 10 chain  7,25kg	R3035 Roller Mechanism with end cap & Bracket Chain operation for 6.0, 6.2 and 12mm pitch # 10 chain  11kg
R3041 Plastic - White Bracket Cover  (each)	R3042 Plastic - White Bracket Cover  (each)	R3043 Plastic - White Bracket Cover  (each)

SYSTEM 32mm	SYSTEM 38mm	SYSTEM 45mm
<p>EXTBR32 Extension Bracket for 32mm white</p> 	<p>EXTBR40 Extension Bracket for 38mm white</p> 	<p>EXTBR45 Extension Bracket for 45mm white</p> 
	<p>EXTBR40C</p> 	<p>EXTBR45C</p> 
<p>DBR32 Double Bracket Hang two roller shades one in front of the other Opposite site control Steel - painted white</p>  <p>R L</p>	<p>DBR38</p> 	<p>DBR32/38C</p>  <p>Double Bracket - Cover Plastic - White for 32 & 38 1 pair One size fits 32 & 38 double brackets</p>
<p>DBR32A-Right Double Bracket Hang two roller shades one in front of the other Opposite site control Steel - painted white</p>  <p>R</p>	<p>DBR38A</p> 	<p>DBR32/38C</p>  <p>Double Bracket - Cover Plastic - White for 32 & 38 1 pair One size fits 32 & 38 double brackets</p>
<p>DBR32B-Left Double Bracket Hang two roller shades one in front of the other Opposite site control Steel - painted white</p>  <p>L L</p>	<p>DBR38B</p> 	<p>DBR32/38C</p>  <p>Double Bracket - Cover Plastic - White for 32 & 38 1 pair One size fits 32 & 38 double brackets</p>
<p>RBMBR32 SET Middle Bracket 2m Ech. Operation</p> 	<p>RBMBR38 SET Middle Bracket 2m Ech. Operation</p> 	<p>RBMBR45 SET Middle Bracket 2m Ech. Operation</p> 
<p>RBJBR32 Tube Joint Jointed Bracket 1 Mech. Operation</p> 	<p>RBJBR38 Tube Joint Jointed Bracket 1 Mech. Operation</p> 	<p>RBJBR45 Tube Joint Jointed Bracket 1 Mech. Operation</p> 

SYSTEM 32mm	SYSTEM 38mm	SYSTEM 45mm
DBMR32 Double middle bracket for 4set mechanism Operation, include 2pcs Double bracket + 4pcs roller mechanism white painted 	DBMR38 	DBMR45 

ACCESSORIES

HHR32WH Head Rail Aluminium Painted White 	RB32IBR Bracket Steel Painted White 	RB38IBR Bracket Steel Painted White 
R8120/5 Bottom Rail PVC White 	R8121WH & RB121AM Bottom Rail Aluminium Painted White & ANODISED 	R238AI=WH & R238=PVC Bottom Rail for finishing Aluminium Painted White 
R8221 Locking Tape 6mm for Bottom Rail 	92508 Locking Tape 7mm for Bottom Rail  R01-5A38-410L&R	92509 Locking Tape 8mm for Bottom Rail  R01-5A45-410L&R
R8170 WHITE GRAY CLEAR End Cap Plastic for Bottom Rail 	R238E End Cap Plastic for Bottom Rail R04-NF 	
R13 Chain Weight ABS Total Weight 30gr  Available in all chain colours	R01-SA38-410 L&R Spring Assist plugs and locks existing 38mm roller mechanism 	R01-SA45-410 Spring Assist plugs and locks existing 45mm roller mechanism 

<p>RBMCC</p> <p>Chain - Connector Plastic Metal for # 10 chain</p>  <p>RBMCC</p>	<p>R01-SA38-650 L&R</p> <p>Spring Assist plugs and locks existing 38mm roller mechanism</p> 	<p>R01-SA45-650 L&R</p> <p>Spring Assist plugs and locks existing 45mm roller mechanism</p> 
<p>CH080RWH</p> <p>Chain - Endless # 10 double plastic Ball pitch = 6mm Drop: 1.25m</p>  <p>Any size available</p>	<p>RBCS</p> <p>Chain stop Chain stopper, in pom</p>  <p>Chain stopper, in clear</p>	<p>RBMC4.5INOX</p> <p>Chain - Plastic Metal, Ball pitch 6mm</p>  <p>RBPC45/6WH/BE/GE</p>

Available colours:

Beige
Brown
Blue
Black
Gray
Green
Jute
Oak
Orange
Red
White
Yellow

Available lengths:

80
100
125
140
150
175
180
200
225
240
300